

Marsh Furniture Specifications Guide

February 2, 2015



MARSH CABINETS



MARSH PRODUCT WARRANTY FIVE (5) YEAR LIMITED WARRANTY

Marsh Furniture Company (“Marsh”) warrants to the original user for “Household Use” only as defined below that for a five (5) year term, measured from the date of purchase from Marsh, Marsh will repair or replace any product of Marsh’s manufacture which is defective in material and workmanship. The term “Household Use” shall include use for personal and family purposes as well as in hotel or motel residential short term rental units, but does not apply to other purposes for commercial use. The remedy of repair or replacement (which shall be at the option of Marsh) is the exclusive remedy of the user. Claims for repair or replacement should be submitted to Marsh at P.O. Box 870, High Point, NC, 27261-0870.

It is the nature of wood products to have variations in the grain pattern and wood color. Any surface finish may be affected by exposure to sunlight and other elements as part of the natural aging process. These material variations and changes are not covered by this warranty. Proper care and use are essential to preserving your rights to this Warranty. Marsh will not repair or replace any product if damage is caused by improper use or maintenance such as the use of abrasives or harsh cleaning agents on cabinet surfaces.

Additionally, this warranty does not cover damage to Marsh products from negligence, abuse, normal wear and tear, accidents, trauma, fire, water damage, or other catastrophe, or if a product is routinely subjected to steam or unusually high humidity. Costs related to damages incurred in transit, handling, installation, and all costs related to the transportation, removal or reinstallation of defective Marsh products are not assumed by Marsh under this Warranty.

MARSH MAKES NO IMPLIED WARRANTIES OF MERCHANTABILITY OR OF FITNESS FOR A PARTICULAR PURPOSE. THESE AND ALL OTHER IMPLIED WARRANTIES ARE SPECIFICALLY DISCLAIMED. IN NO EVENT WILL MARSH BE LIABLE FOR CONSEQUENTIAL, INDIRECT OR INCIDENTAL DAMAGES RESULTING FROM ANY CAUSE.

Some states do not allow limitations on how long an implied warranty lasts and some states do not allow an exclusion or limitation of incidental or consequential damages, so the above limitations or exclusions may not apply to you. This warranty gives you specific legal rights, and you may also have other rights which vary from state to state.

- SECTION 1 WALLS**
- SECTION 2 BASES**
- SECTION 3 TALLS**
- SECTION 4 VANITIES**
- SECTION 5 ACCESSORIES**
- SECTION 6 SALES AIDS**
- SECTION 7 CARE AND MAINTENANCE**
- SECTION 8 SUPPLY ORDER PARTS REFERENCE**
- SECTION 9 GLASS CUT FOR SIZE**

TABLE OF CONTENTS AND ABBREVIATIONS

Abbrev.	Description	Page	Abbrev.	Description	Page
20 Door Wall Pager.	Door Pager.....	6.02	D		
50, 45	Sales Samples.....	6.02	D2B	Drawer Base - 2 Drawer	2.05
54 Door Payer.	Door Payer.....	6.02	D3B	Drawer Base - 3 Drawer	2.04
A			D4B	Drawer Base - 4 Drawer	2.04
ACOR	Acanthus Corbel	5.15	DCB	Decorative Counter Bracket	5.15
ADSR	Adjustable Door Spice Rack.....	1.20	DCK	Ductless Conversion Kit	1.21
AFAD	Furniture Apron - Double Arch Scalloped	5.12	DM	Dentil Molding	5.09
AFAS	Furniture Apron - Single Arched.....	5.13	DMK	Door Mounting Kit - Waste Basket	2.13
AH	Appliance Hutch	1.19	DO	Desk Organizer	1.19
APL	Apple Foot	5.15	DSB	Diagonal Sink Base	2.05
AV	Arched Valance	5.12	DSCK	Blumotion Compact Soft Close Set.....	5.17
B			DWB	Double Waste Baskets	2.13
BAFFL	Base Angled Filler - Fluted	5.05	DWE	Dishwasher End Panel	5.08
BBP	Bead Board Panel	5.17	DWEP	Dishwasher End Panel Profiled Filler Overlay..	5.08
BCF	Bookcase Cabinet	1.18	E		
BCPO	Blind Corner Pullout Organizer.....	2.15	EDGE BAND	Edge Band	5.18
BCWN	Beaded Crown Molding	5.10	EM	Edge Molding	5.08
BCWNC	Beaded Crown Molding - Full Overlay	5.10	EZCB	Easy Reach Corner Base	2.07
BEC	Base End Cabinet	2.08	EZCW	Easy Reach Corner Wall Cabinet	1.15
BFB	Base Filler Box	5.03	EZDCB	Easy Reach Diagonal Corner Base	2.07
BFC	Base Fluted Column	5.04	F		
BFFL	Base Filler - Fluted	5.05	FB	Facia Board	5.17
BFH	Base Full Height Cabinet.....	2.02	FBFOL	Furniture Base Molding - Full Overlay	5.11
BFHBP	Base Full Height Cabinet with Bi-Parting Doors	2.02	FBSOL	Furniture Base Molding - Standard Overlay ...	5.11
BFPO	Base Filler Pullout Organizer	2.14	FBMLDGCLEAT	Furniture Base Attachment Cleat	5.11
BFWD	Base Filler (Wood)	5.04	FP	Finished Panel	5.17
BFWDP	Base Filler (Wood) with Profiled Overlay	5.07	FPC	Finished Panel Crossgrain	5.17
BM	Batten Molding	5.09	FSB	Farm Sink Base.....	2.03
BPO	Base Pullout Organizer	2.14	FSBBP	Farm Sink Base with Bi-Parting Doors	2.03
BSB	Burner Sink Base	2.03	FSFL	Filler Strip - Fluted	5.05
BSBBP	Burner Sink Base with Bi-Parting Doors	2.03	FV	Frieze Valance	5.12
BSF	Base Sink Fronts.....	2.10	G		
BTC	Base Transitional Cabinet	2.08	GR	Galley Rail	5.09
BX	Installation Items	5.18	GRCL	Grape Cluster	5.14
C			GRCOR	Grape Corbel	5.14
CAR	Lazy Susan Barrel Cabinet	2.07	H		
CBFWD	Corner Base Filler (Wood)	5.04	HS	Heat Shields	5.18
CBFWDP	Corner Base Filler (Wood) with Profiled Overlay	5.07	I		
CM	Cap Molding	5.09	IB	Island Base	2.08
CR	Corner Round Molding (Outside Corner)	5.09	IBBP	Island Base with Bi-Parting Doors	2.08
CRA	Corner Round Molding.....	5.09	IFH	Island Full Height	2.09
CS	Corner Shelf	1.19	IFHBP	Island Full Height with Bi-Parting Doors.....	2.09
CSF	Corner Sink Front	2.10	ISB	Island Sink Base	2.09
CSTP	Corner Shelf Top Plate	1.19	ISBBP	Island Sink Base with Bi-Parting Doors	2.09
CTEM	Counter Top Edge Molding	5.09	IW	Island Wall Cabinets.....	1.10
CTP	Corner Toe Plate	5.17	IWBP	Island Wall Cabinets with Bi-Parting Doors.....	1.10
CV	Cove Molding	5.09	IWBPG	Island Wall Cabinets with Bi-Parting Glass Doors	1.10
CWC	Corner Wall Cabinet (Diagonal)	1.15	IWBPM	Island Wall Cabinets with Bi-Parting Mullion Doors	1.10
CWCGL	Corner Wall Cabinet (Diagonal) with Glass Doors	1.15	IWGL	Island Wall Cabinets with Glass Doors.....	1.10
CWCMD	Corner Wall Cabinet (Diagonal) with Mullion Doors	1.15	IWMD	Island Wall Cabinets with Mullion Doors	1.10
CWN	Crown Molding (Small)	5.10			

TABLE OF CONTENTS AND ABBREVIATIONS

Abbrev.	Description	Page	Abbrev.	Description	Page
K			K		
KC	Vanity Tops	4.09	RP	Refrigerator End Panel	5.08
L			L		
LB	Light Bar Trim Molding	5.09	RPBC	Reversible Pantry Base Corner	2.06
LBCP	LeMans Corner Pullout	2.15	RST30/42/84	Split Turning Reed Center	5.16
LBM	Individual Finish Box Samples	6.02	RTPF	Range Toe Plate	5.17
LCV	Large Cove Molding	5.10	RTU	Roll Out Tray	2.11
LCVC	Large Cove Crown	5.10	RW	Refrigerator Wall Cabinets	1.11-1.12
LCWNC	Large Crown Molding w/Heel	5.11	RWBP	Refrigerator Wall Cabinets with Bi-Parting Doors	1.12
LES	Left End Splash	4.09	RWBPGL	Refrigerator Wall Cabinets with Bi-Parting Glass Doors	1.12
LLE	Loose Laminated Ends	5.03	RWBPM	Refrigerator Wall Cabinets with Bi-Parting Mullion Doors	1.12
LONLAYA	Large Acanthus Onlay	5.13	RWGL	Refrigerator Wall Cabinets with Glass Doors	1.11-1.12
LONLAYGR	Large Grape Onlay	5.14	RWMD	Refrigerator Wall Cabinets with Mullion Doors	1.11-1.12
LS	Loose Shelving	5.17	S		
LSC	Wood Shelving Cleats	5.17	SBM	Shoe Base Molding	5.09
LSCB	Lazy Susan Corner Base	2.07	SBX	Sample Box Only	6.02
LSCBFP	Loose Profiled Filler for Base Corner	5.06	SBXC	Complete Sample Box of Finishes	6.02
LSDCB	Lazy Susan Diagonal Corner Base	2.07	SCMC	Shaker Crown Molding	5.10
LSUFP	Loose Profiled Filler for Walls, Bases & Talls	5.06	SCR	Small Outside Corner	5.09
LSOCFP	Oven Cabinet Profiled Filler	3.05	SD	Sample Door, no bore	6.02
LSVFP	Loose Profiled Filler for Vanity Bases	5.06	SF	Soffit Molding	5.09
M			S		
MKC	Vanity Tops	4.09	SFA	Straight Furniture Apron	5.12
MLDGCLEAT	Molding Cleat - Single	5.11	SFE	Sink Front End Panel	5.08
MLDGCLEATBX	Molding Cleat - Box	5.11	SFF	Sink Front Floors	2.10
MWB	Microwave Bases	2.04	SH	Stemware Holder	1.20
O			S		
OC	Oven Cabinet	3.03	SHCOR	Shaker Corbels	5.15
OE	Overlay Ends	5.02	SM	Scribe Molding	5.09
ONLAYA3	Small Acanthus Ornament	5.13	SMC	Sample Molding Chain	6.02
ONLAYA6	Large Acanthus Ornament	5.13	SONLAYGR	Small Grape Onlay	5.14
OVDB	Overlay Door - Base	5.02	SPDBX	Spice Drawer Box	1.19
OVDUC	Overlay Door - Utility Cabinet	5.02	SPWC	Spice Drawer Cabinet/Wine Cube	1.19
OVDV	Overlay Door - Vanity (Standard)	5.02	SSB	Sink Pantry Base	2.04
OVDVBH	Overlay Door - Vanity (Base Height)	5.02	SSCB	Super Susan Corner Base	2.07
OVDW	Overlay Door - Wall	5.02	SSCM	Shaker Crown Molding	5.09
P			S		
PB	Pantry Base	2.02	SSCV	Solid Scalloped Valance Wood	5.12
PBBP	Pantry Bases with Bi-Parting Doors	2.02	SSDCB	Super Susan Diagonal Corner Base	2.08
PD	Sample Door, hinged for pager	6.02	SSV	Straight Valance (painted white)	5.12
PFT	Plain Full Turning	5.16	STR	Wood Moldings - Starter Molding	5.11
PST	Split Turning End Post	5.16	SV	Straight Valance	5.12
PST30/42/84	Split Turning Plain Center	5.16	SWB	Single Waste Basket	2.13
R			T		
REP	Refrigerator End Panel	5.08	TBSM	Triple Bead Stacked Molding	5.11
RES	Right End Splash	4.09	TFB	Tall Filler Box	5.03
RFT	Reeded Full Turning	5.16	TFC	Tall Fluted Column	5.04
RH	Range Hood	1.21	TK	Toe Kick	5.17
RHB	Range Hood Blower	1.21	TLG	2-Sided Taper Leg	5.15
RLR	Radius Light Rail Molding	5.11	TLL	Tulip Foot	5.15
RLS	Round Lazy Susan	1.20	TP	Toe Plate	5.17
RM	Rope Molding	5.09	TPEC	Toe Plate End Cap	5.17
ROS3	Rosette	5.15	U		
			UC	Utility Cabinet	3.02
			UCBP	Utility Cabinet with Bi-Parting Doors	3.02
			UC3S	Utility Cabinet Three Shelf Kit	3.05

TABLE OF CONTENTS AND ABBREVIATIONS

Abbrev.	Description	Page	Abbrev.	Description	Page
UCT	Under Cabinet Trim	5.09	WCBPGL	Wall Cabinets with Bi-Parting Glass Doors	1.02-1.06, 1.08-1.09
UCWN	Universal - Crown Molding	5.10	WCBPMD	Wall Cabinets with Bi-Parting Mullion Doors	1.02-1.06, 1.08-1.09
UCWNC	Universal - Crown Molding - Full Overlay	5.10	WCC	Wall Corner Cabinet	1.13-1.14
UFWD	Universal Filler (Wood)	5.04-5.05, 5.07	WCCGL	Wall Corner Cabinet with Glass Doors	1.13-1.14
UFWDP	Universal Filler (Wood) with Profiled Overlay	5.06-5.07	WCCMD	Wall Corner Cabinet with Mullion Doors	1.13-1.14
V					
V	Scalloped Valance - Oak Only	5.12	WCGL	Wall Cabinet with Glass Doors	1.02-1.06, 1.07-1.09
V3D	Vanity with 3 Drawers	4.08	WCM	Wall Microwave Cabinet	1.18
V3DBH	Vanity, Base High with 3 Drawers	4.08	WCMD	Wall Cabinet with Mullion Doors	1.02-1.06, 1.07-1.09
V4DBH	Vanity, Base High with 4 Drawers	4.08	WCMW	Wall Cabinet for Microwave	1.17
VB	Vanity Base	4.05	WCMWBP	Wall Cabinet for Microwave with Bi-Parting Doors	1.17-1.18
VBBH	Vanity Base, Base High	4.05	WCMWBPGL	Wall Cabinet for Microwave with Bi-Parting Glass Doors	1.17-1.18
VBBP	Vanity Base with Bi-Parting Doors	4.06	WCMWBPMD	Wall Cabinet for Microwave with Bi-Parting Mullion Doors	1.17-1.18
VBBPBH	Vanity Base, Base High with Bi-Parting Doors	4.06	WCMWGL	Wall Cabinet for Microwave with Glass Doors	1.17
VBFFL	Vanity Base Filler - Fluted	5.05	WCMWMD	Wall Cabinet for Microwave with Mullion Doors	1.17
VDL	Vanity Drawer Lavatory	4.07-4.08	WCPRF	Wall Cabinet w/Plate Rack	1.18
VDLBH	Vanity Drawer Lavatory - Base Height	4.07-4.08	WCWN	Wood Crown Molding	5.10
VDLBP	Vanity Drawer Lavatory with Bi-Parting Doors	4.07	WDCT	Wood Cutlery Tray	2.15
VDLBPBH	Vanity Drawer Lavatory, Base High with Bi-Parting Doors	4.07	WDDWB	Wood Double Waste Basket	2.13
VDU	Vanity Drawer Unit	4.09	WDRTU	Wood Roll Out Tray	2.12
VFB	Vanity Filler Box	5.03	WDSI	Spice Drawer Insert	2.15
VFBBH	Vanity Filler Box - Base Height	5.03	WDSWB	Wood Single Waste Basket	2.13
VFC	Vanity Fluted Column	5.04	WDUT	Wood Utility Tray	2.15
VFCBH	Vanity Fluted Column - Base Height	5.04	WEA	Wall End Angled Cabinet	1.16
VFD	Vanity File Drawer	4.09	WEAGL	Wall End Angled Cabinet with Glass Doors	1.16
VFDBH	Vanity File Drawer, Base High	4.09	WEC	Wall End Cabinet	1.16
VFH	Vanity Full Height	4.02-4.03	WECGL	Wall End Cabinet with Glass Doors	1.16
VFHBH	Vanity Full Height, Base High	4.02-4.03	WECMD	Wall End Cabinet with Mullion Doors	1.16
VFHBP	Vanity Full Height with Bi-Parting Doors	4.02-4.03	WFB	Wall Filler Box	5.03
VFHBPBH	Vanity Full Height, Base High with Bi-Parting Doors	4.02-4.03	WFC	Wall Fluted Column	5.03
VFWDP	Universal Filler (Wood) with Profiled Overlay	5.07	WFPO	Wall Filler Pullout Organizer	1.20
VLEGF	Vanity Desk Leg	4.09	WR	Wine Rack	1.20
VLF	Vanity Lavatory Front	4.09	WRCF	Lattice Wine Rack Cabinet	1.18
VLFBP	Vanity Lavatory Front with Bi-Parting Doors	4.09		Touch-up Aerosol Spray and Stain	5.18
VS	Vanity Sink	4.04		Dealer Binder	6.02
VSBH	Vanity Sink, Base High	4.04		Door Sample Bags	6.02
VSBP	Vanity Sink with Bi-Parting Doors	4.04-4.05		Mini Bases	6.02
VSBPBH	Vanity Sink, Base High with Bi-Parting Doors	4.04-4.05		Care and Maintenance	7.01
VSD	Vanity Side Drawer	4.06		Cabinet Modifications	0.27
VSDBH	Vanity Side Drawer - Base Height	4.07			
VSV	Straight Valance - Veneered MDF	5.12			
VWC	Vanity Wall Cabinet	4.10			
W					
WC	Wall Cabinet	1.02-1.09			
WCBP	Wall Cabinets with Bi-Parting Doors	1.02-1.06, 1.08-1.09			

TABLE OF CONTENTS BY SECTION

WALL CABINETS

WALLS

WC	Wall Cabinet	1.02-1.09
WCBP	Wall Cabinets with Bi-Parting Doors	1.02-1.06, 1.08-1.09
WCBPGL	Wall Cabinets with Bi-Parting Glass Doors	1.02-1.06, 1.08-1.09
WCBPMD	Wall Cabinets with Bi-Parting Mullion Doors	1.02-1.06, 1.08-1.09
WCGL	Wall Cabinet with Glass Doors	1.02-1.06, 1.07-1.09
WCMD	Wall Cabinet with Mullion Doors	1.02-1.06, 1.07-1.09
WEA	Wall End Angled Cabinet	1.16
WEAGL	Wall End Angled Cabinet with Glass Doors	1.16
WEC	Wall End Cabinet	1.16
WECGL	Wall End Cabinet with Glass Doors	1.16
WECMD	Wall End Cabinet with Mullion Doors	1.16

CORNER WALLS

CWC	Corner Wall Cabinet (Diagonal)	1.15
CWCGL	Corner Wall Cabinet (Diagonal) with Glass Doors	1.15
CWCMD	Corner Wall Cabinet (Diagonal) with Mullion Doors	1.15
EZCW	Easy Reach Corner Wall Cabinet	1.15
WCC	Wall Corner Cabinet	1.13-1.14
WCCGL	Wall Corner Cabinet with Glass Doors	1.13-1.14
WCCMD	Wall Corner Cabinet with Mullion Doors	1.13-1.14

ISLAND WALLS

IW	Island Wall Cabinets	1.10
IWBP	Island Wall Cabinets with Bi-Parting Doors	1.10
IWBPG	Island Wall Cabinets with Bi-Parting Glass Doors	1.10
IWBPM	Island Wall Cabinets with Bi-Parting Mullion Doors	1.10
IWGL	Island Wall Cabinets with Glass Doors	1.10
IWMD	Island Wall Cabinets with Mullion Doors	1.10

MICROWAVE WALLS

WCMW	Wall Cabinet for Microwave	1.17
WCMWBP	Wall Cabinet for Microwave with Bi-Parting Doors	1.17-1.18
WCMWBPG	Wall Cabinet for Microwave with Bi-Parting Glass Doors	1.17-1.18
WCMWBPM	Wall Cabinet for Microwave with Bi-Parting Mullion Doors	1.17-1.18
WCMWGL	Wall Cabinet for Microwave with Glass Doors	1.17
WCMWMD	Wall Cabinet for Microwave with Mullion Doors	1.17

REFRIGERATOR WALLS

RW	Refrigerator Wall Cabinets	1.11-1.12
RWBP	Refrigerator Wall Cabinets with Bi-Parting Doors	1.12
RWBPG	Refrigerator Wall Cabinets with Bi-Parting Glass Doors	1.12
RWBPM	Refrigerator Wall Cabinets with Bi-Parting Mullion Doors	1.12

RWGL	Refrigerator Wall Cabinets with Glass Doors	1.11-1.12
RWMD	Refrigerator Wall Cabinets with Mullion Doors	1.11-1.12

WALL ACCESSORIES

ADSR	Adjustable Door Spice Rack	1.20
AH	Appliance Hutch	1.19
BCF	Bookcase Cabinet	1.18
CS	Corner Shelf	1.19
CSTP	Corner Shelf Top Plate	1.19
DO	Desk Organizer	1.19
SH	Stemware Holder	1.20
WCM	Wall Microwave Cabinet	1.18
WCPRF	Wall Cabinet with Plate Rack	1.18
WFPO	Wall Filler Pullout Organizer	1.20
WR	Wine Rack	1.20
WRCF	Lattice Wine Rack Cabinet	1.18
RLS	Round Lazy Susan	1.20
SPDBX	Spice Drawer Box	1.19
SPWC	Spice Drawer Cabinet/Wine Cube	1.19
DSCK	Blumotion Compact Soft Close Set	5.17

RANGE HOODS

RH	Range Hood	1.21
RHB	Range Hood Blower	1.21
DCK	Ductless Conversion Kit	1.21

BASE CABINETS

BASES

BEC	Base End Cabinet	2.08
BFH	Base Full Height Cabinet	2.02
BFHBP	Base Full Height Cabinet with Bi-Parting Doors	2.02
BSB	Burner Sink Base	2.03
BSBBP	Burner Sink Base with Bi-Parting Doors	2.03
FSB	Farm Sink Base	2.03
FSBBP	Farm Sink Base with Bi-Parting Doors	2.03
BTC	Base Transitional Cabinet	2.08
D4B	Drawer Base - 4 Drawer	2.04
D3B	Drawer Base - 3 Drawer	2.04
D2B	Drawer Base - 2 Drawer	2.05
DSB	Diagonal Sink Base	2.05
PB	Pantry Base	2.02
PBBP	Pantry Bases with Bi-Parting Doors	2.02
SSB	Sink Pantry Base	2.04
BSF	Base Sink Fronts	2.10
SFF	Sink Front Floors	2.10

CORNER BASE

CAR	Lazy Susan Barrel Cabinet	2.07
CSF	Corner Sink Front	2.10
EZCB	Easy Reach Corner Base	2.07
EZDCB	Easy Reach Diagonal Corner Base	2.07
LSCB	Lazy Susan Corner Base	2.07
LSDCB	Lazy Susan Diagonal Corner Base	2.07
RPBC	Reversible Pantry Base Corner	2.06
SSCB	Super Susan Corner Base	2.07
SSDCB	Super Susan Diagonal Corner Base	2.08

ISLAND BASE

IB	Island Base	2.08
IBBP	Island Base with Bi-Parting Doors	2.08
IFH	Island Full Height	2.09
IFHBP	Island Full Height with Bi-Parting Doors	2.09

TABLE OF CONTENTS BY SECTION

ISB.....	Island Sink Base.....	2.09	VLFBP.....	Vanity Lavatory Front with Bi-Parting Doors .	4.09
ISBBP.....	Island Sink Base with Bi-Parting Doors.....	2.09	VS.....	Vanity Sink.....	4.04
BASE ACCESSORIES			VSBH.....	Vanity Sink, Base High.....	4.04
BCPO.....	Blind Corner Pullout Organizer.....	2.15	VSBP.....	Vanity Sink with Bi-Parting Doors.....	4.04-4.05
BFPO.....	Base Filler Pullout Organizer.....	2.14	VSBPBH.....	Vanity Sink, Base High with Bi-Parting Doors.....	4.04-4.05
BPO.....	Base Pullout Organizer.....	2.14	VANITY MISCELLANEOUS		
LBCP.....	LeMans Corner Pullout.....	2.15	VLEGF.....	Vanity Desk Leg.....	4.09
RTU.....	Roll Out Tray.....	2.11	VDU.....	Vanity Drawer Unit.....	4.09
WDRTU.....	Wood Roll Out Tray.....	2.12	DECORATIVE DOORS		
SWB.....	Single Waste Basket.....	2.13	OVDW.....	Overlay Door - Wall.....	5.02
WDSWB.....	Wood Single Waste Basket.....	2.13	OVDDB.....	Overlay Door - Base.....	5.02
DWB.....	Double Waste Baskets.....	2.13	OVDUC.....	Overlay Door - Utility Cabinet.....	5.02
WDDWB.....	Wood Double Waste Basket.....	2.13	OVDV.....	Overlay Door - Vanity (Standard).....	5.02
DMK.....	Door Mounting Kit - Waste Basket.....	2.13	OVDVBH.....	Overlay Door - Vanity (Base Height).....	5.02
WDCT.....	Wood Cutlery Tray.....	2.15	FILLERS		
WDSI.....	Spice Drawer Insert.....	2.15	WALL FILLERS		
WDUT.....	Wood Utility Tray.....	2.15	FSFL.....	Filler Strip - Fluted.....	5.05
TALL CABINETS			LSUFP.....	Loose Profiled Filler for Walls, Bases & Talls.....	5.06
OVEN CABINETS			RP.....	Refrigerator End Panel.....	5.08
OC.....	Oven Cabinet.....	3.03	REP.....	Refrigerator End Panel.....	5.08
UTILITY CABINETS			WFB.....	Wall Filler Box.....	5.03
UC.....	Utility Cabinet.....	3.02	WFC.....	Wall Fluted Column.....	5.03
UCBP.....	Utility Cabinet with Bi-Parting Doors.....	3.02	BASE FILLERS		
TALL ACCESSORIES			DWEP.....	Dishwasher End Panel Profiled Filler Overlay.....	5.08
UC3S.....	Utility Cabinet Three Shelf Kit.....	3.05	BFB.....	Base Filler Box.....	5.03
VANITY CABINETS			BFC.....	Base Fluted Column.....	5.04
WALLS			BFFL.....	Base Filler - Fluted.....	5.05
VWC.....	Vanity Wall Cabinet.....	4.10	BAFFL.....	Base Angled Filler - Fluted.....	5.05
BASES			OVEN FILLERS		
V3D.....	Vanity Drawer Base.....	4.08	LSOCFP.....	Oven Cabinet Profiled Filler.....	3.05
V3DBH.....	Vanity, Base High with 3 Drawers.....	4.08	TALL FILLERS		
V4DBH.....	Vanity Drawer - Base Height.....	4.08	TFB.....	Tall Filler Box.....	5.03
VB.....	Vanity Base.....	4.05	TFC.....	Tall Fluted Column.....	5.04
VBBH.....	Vanity Base, Base High.....	4.05	FSFL.....	Filler Strip - Fluted.....	5.05
VBBP.....	Vanity Base with Bi-Parting Doors.....	4.06	UNIVERSAL FILLERS		
VBBPBH.....	Vanity Base, Base High with Bi-Parting Doors.....	4.06	BFWD.....	Base Filler (Wood).....	5.04
VFD.....	Vanity File Drawer.....	4.09	BFWDP.....	Base Filler (Wood) with Profiled Overlay....	5.07
VFDBH.....	Vanity File Drawer, Base High.....	4.09	CBFWD.....	Corner Base Filler (Wood).....	5.04
VFH.....	Vanity Full Height.....	4.02-4.03	CBFWDP.....	Corner Base Filler (Wood) with Profiled Overlay.....	5.07
VFHBH.....	Vanity Full Height, Base High.....	4.02-4.03	UFWD.....	Universal Filler (Wood).....	5.04-5.05, 5.07
VFHBP.....	Vanity Full Height with Bi-Parting Doors.....	4.02-4.03	UFWDP.....	Universal Filler (Wood) with Profiled Overlay.....	5.06-5.07
VLFBP.....	Vanity Lavatory Front with Bi-Parting Doors.....	4.09	VFWDP.....	Universal Filler (Wood) with Profiled Overlay.....	5.07
VFHBPBH.....	Vanity Full Height, Base High with Bi-Parting Doors.....	4.02-4.03	LSUFP.....	Flat Loose Profiled Filler for Walls, Bases & Talls.....	5.06
SINKS			LSCBFP.....	Flat Loose Profiled Filler for Base Corner...	5.06
VDL.....	Vanity Drawer Lavatory.....	4.07-4.08	LSOCFP.....	Oven Cabinet Profiled Filler.....	3.05
VDLBH.....	Vanity Drawer Lavatory - Base Height.....	4.07-4.08	LSVFP.....	Flat Loose Profiled Filler for Vanity Bases...	5.06
VDLBP.....	Vanity Drawer Lavatory with Bi-Parting Doors.....	4.07	VANITY FILLERS		
VDLBPBH.....	Vanity Drawer Lavatory, Base High with Bi-Parting Doors.....	4.07	VFB.....	Vanity Filler Box.....	5.03
VSD.....	Vanity Side Drawer.....	4.06	VFBBH.....	Vanity Filler Box - Base Height.....	5.03
VSDBH.....	Vanity Side Drawer - Base Height.....	4.07	VBFFL.....	Vanity Base Filler - Fluted.....	5.05
VLF.....	Vanity Lavatory Front.....	4.09			

TABLE OF CONTENTS BY SECTION

VFC	Vanity Fluted Column.....	5.04	GRCOR	Grape Corbel.....	5.14
VFCBH	Vanity Fluted Column - Base Height.....	5.04	LLE	Loose Laminated Ends.....	5.03
MOLDINGS			LONLAYA	Large Acanthus Onlay.....	5.13
BCWN	Beaded Crown Molding.....	5.10	LONLAYGR	Large Grape Onlay.....	5.14
BCWNC	Beaded Crown Molding - Full Overlay.....	5.10	OE	Overlay Ends.....	5.02
BM	Batten Molding.....	5.09	ONLAYA3	Small Acanthus Ornament.....	5.13
CM	Cap Molding.....	5.09	ONLAYA6	Large Acanthus Ornament.....	5.13
CR	Corner Round Molding (Outside Corner).....	5.09	PFT	Plain Full Turning.....	5.16
CRA	Corner Round Molding.....	5.09	PST	Split Turning End Post.....	5.16
CTEM	Counter Top Edge Molding.....	5.09	PST30/42/84	Split Turning Plain Center.....	5.16
CV	Cove Molding.....	5.09	RFT	Reeded Full Turning.....	5.16
CWN	Crown Molding (Small).....	5.10	ROS3	Rosette.....	5.15
DM	Dentil Molding.....	5.09	RST30/42/84	Split Turning Reed Center.....	5.16
EM	Edge Molding.....	5.08	SFA	Straight Furniture Apron.....	5.12
FBFOL	Furniture Base Molding - Full Overlay.....	5.11	SFE	Sink Front End Panel.....	5.08
FBSOL	Furniture Base Molding - Standard Overlay.....	5.11	SHCOR	Shaker Corbels.....	5.15
FBMLDGCLEAT	Furniture Base Attachment Cleat.....	5.11	SONLAYGR	Small Grape Onlay.....	5.14
GR	Galley Rail.....	5.09	SSCV	Solid Scalloped Valance Wood.....	5.12
LB	Light Bar Trim Molding.....	5.09	SSV	Straight Valance (painted white).....	5.12
LCV	Large Cove Molding.....	5.10	STR	Wood Moldings - Starter Molding.....	5.11
LCVC	Large Cove Crown - Full Overlay.....	5.10	SV	Straight Valance.....	5.12
LCWNC	Large Crown Molding with Heel.....	5.11	TLG	2-Sided Taper Leg.....	5.15
MLDGCLEATBX	Molding Cleat - Box.....	5.11	TLL	Tulip Foot.....	5.15
MLDGCLEAT	Molding Cleat - Single.....	5.11	V	Scalloped Valance - Oak Only.....	5.12
RLR	Radius Light Rail Molding.....	5.11	VSV	Straight Valance (veneered MDF).....	5.12
RM	Rope Molding.....	5.09	MISCELLANEOUS		
SCMC	Shaker Crown Molding - Full Overlay.....	5.10	20 Door Wall Pager. Door Pager.....	6.02	
SBM	Shoe Base Molding.....	5.09	50, 45	Sales Samples.....	6.02
SCR	Small Outside Corner.....	5.09	54 Door Pager. Door Pager.....	6.02	
SF	Soffit Molding.....	5.09	BX	Installation Items.....	5.18
SM	Scribe Molding.....	5.09	CTP	Corner Toe Plate.....	5.17
SSCM	Shaker Crown Molding.....	5.09	EDGEBAND	Edge Band.....	5.18
TBSM	Triple Bead Stacked Molding.....	5.11	HS	Heat Shields.....	5.18
UCT	Under Cabinet Trim.....	5.09	LBM	Individual Finish Box Sample.....	6.02
UCWN	Universal - Crown Molding.....	5.10	LS	Loose Shelving.....	5.17
UCWNC	Universal - Crown Molding - Full Overlay.....	5.10	LSC	Wood Shelving Cleats.....	5.17
WCWN	Wood Crown Molding.....	5.10	PD	Sample Door, hinged for pager.....	6.02
ACCESSORIES			RTPF	Range Toe Plate.....	5.17
ACOR	Acanthus Corbel.....	5.15	SBX	Sample Box Only.....	6.02
AFAD	Furniture Apron - Double Arch Scalloped.....	5.12	SBXC	Complete Sample Box of Finishes.....	6.02
AFAS	Furniture Apron - Single Arched.....	5.13	SD	Sample Door, no bore.....	6.02
APL	Apple Foot.....	5.15	SMC	Sample Molding Chain.....	6.02
AV	Arched Valance.....	5.12	TK	Toe Kick.....	5.17
BBP	Bead Board Panel.....	5.17	TP	Toe Plate.....	5.17
DCB	Decorative Counter Bracket.....	5.15	TPEC	Toe Plate End Cap.....	5.17
DWE	Dishwasher End Panel.....	5.08	Touch-up Aerosol Spray and Stain.....	5.18	
FB	Facia Board.....	5.17	Dealer Binder.....	6.02	
FP	Finished Panel.....	5.17	Door Sample Bags.....	6.02	
FPC	Finished Panel Crossgrain.....	5.17	Mini Bases.....	6.02	
FV	Frieze Valance.....	5.12	Care and Maintenance.....	7.01	
GRCL	Grape Cluster.....	5.14			

Nomenclature Changes

Previous	Current
DB	D4B
DBP	D3B
VD	V3D
VD-BH	V4D-BH
LCWN96	LCWN96C
LCWN144	LCWN144C
FA	AFA_D/AFA_S
Devonshire	Brunswick I Birch
Hillcrest	Florence Birch
Halifax	Cambridge Cherry
Woodland	Florence Cherry
Arch Woodland	Arch Florence Cherry

New Items

- Cambridge Maple, Cambridge Cherry
- Atlanta Maple, Atlanta Cherry
- Brunswick Birch, Brunswick Cherry
- Florence Birch, Florence Cherry
- Slate Glaze
- Two-Drawer Bases (D2B's)
- New Riser Molding (STR's)
- Expanded Mullion Door & Glass Door offerings
- Expanded Furniture Apron offerings
- Fairmont Plywood option
- Expanded Filler offerings
- Diagonal Sink cabinets
- Expanded Refrigerator panels
- Expanded SSCM offerings
- Expanded VFD options
- Supply Parts dimensions (found in back sections of this book)

BELWOOD and ARCH BELWOOD

Oak

- 3/4" thick door frame
- Traditional 1/2" overlay
- 2" stiles and rails
- Flat veneer center panel
- Roman arch flat veneer center panel on wall cabinets and Belwood door on base cabinets
- Concealed hinges

Drawers

- 3/4" thick solid front
- Side mounted guides
- Pulls not required



*Base cabinets are not available in Arch style

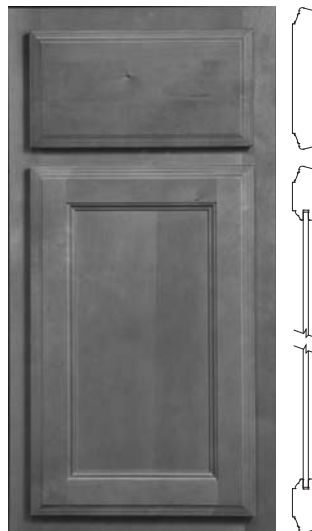
CAMBRIDGE

Oak, Birch, Maple, Cherry

- 3/4" thick door frame
- Traditional 1/2" overlay
- 2" stiles and rails
- Flat veneer center panel
- Concealed hinges

Drawers

- 3/4" thick solid front
- Side mounted guides
- Pulls not required



* Upgrade drawer option available: wood dovetail drawer with Full Extension, Soft Close feature

* See page 0.23 for additional specifications for painted product

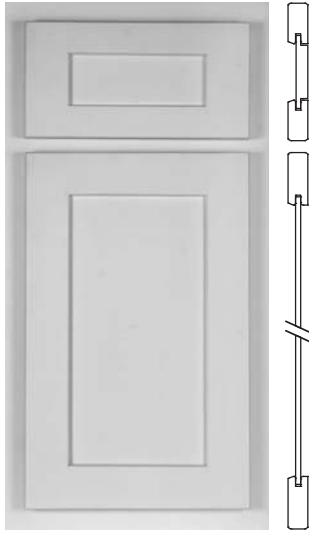
CABINET REFERENCES—Standard Overlay

ATLANTA I

- Birch, Maple, Cherry
- 3/4" thick door frame
 - Traditional 1/2" overlay
 - 2" wide stiles and rails
 - Mortise and tenon construction with flat veneer center panel
 - Concealed hinges

Drawers

- 3/4" thick 5-piece drawer head with flat veneer center panel
- Side mounted guides
- Pulls not required



ATLANTA II

- Birch, Maple, Cherry
- 3/4" thick door frame
 - Traditional 1/2" overlay
 - 2" wide stiles and rails
 - Mortise and tenon construction with flat veneer center panel
 - Concealed hinges

Drawers

- 3/4" thick slab solid drawer head
- Side mounted guides
- Pulls not required

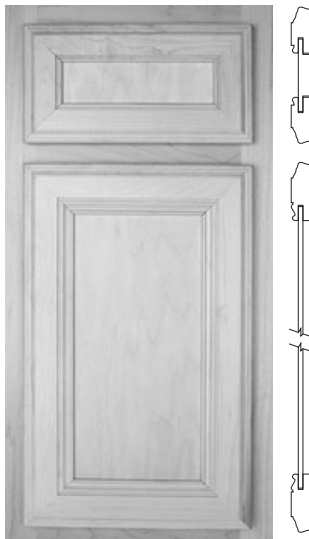


BRUNSWICK I

- Birch, Maple, Cherry
- 3/4" thick solid door frame
 - Traditional 1/2" overlay
 - 2-1/4" stiles and rails
 - Mitered corners
 - Flat veneer center panel
 - Concealed hinges

Drawers

- 3/4" thick solid front
- Side mounted guides
- Pulls not required



BRUNSWICK II

- Birch, Maple, Cherry
- 3/4" thick solid door frame
 - Traditional 1/2" overlay
 - 2-1/4" stiles and rails
 - Mitered corners
 - Flat veneer center panel
 - Concealed hinges

Drawers

- 3/4" thick solid front
- Side mounted guides
- Pulls not required



*Not available in Mullion

*Not available in Mullion

*All Drawer Bases will read Cambridge

* Upgrade drawer option available: wood dovetail drawer with Full Extension, Soft Close feature

* See page 0.23 for additional specifications for painted product

PARKWOOD and ARCH PARKWOOD

Oak

- 3/4" thick door frame
- Traditional 1/2" overlay
- Raised center panel
- 2" stiles and rails
- Roman arch raised center panel on wall cabinets and Parkwood doors on base cabinets
- Concealed hinges

Drawers

- 3/4" thick solid front
- Side mounted guides
- Pulls not required



*Base cabinets are not available in Arch style

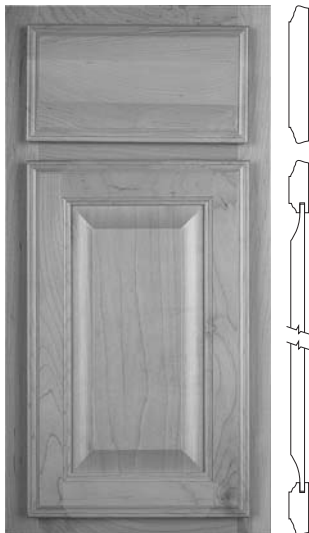
FLORENCE

Birch, Maple, Cherry

- 3/4" thick solid door frame
- Traditional 1/2" overlay
- Raised veneer center panel
- 2" stiles and rails
- Roman arch raised veneer center panel on wall cabinets and Florence door on base cabinets
- Concealed hinges

Drawers

- 3/4" thick solid front
- Side mounted guides
- Pulls not required



*Base cabinets are not available in Arch style

*Drawer Bases and Glass Door Cabinets will read Cambridge

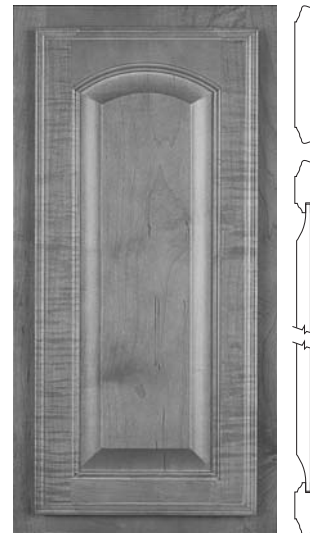
ARCH FLORENCE

Maple, Cherry

- 3/4" thick solid door frame
- Traditional 1/2" overlay
- Raised veneer center panel
- 2" stiles and rails
- Roman arch raised veneer center panel on wall cabinets and Florence door on base cabinets
- Concealed hinges

Drawers

- 3/4" thick solid front
- Side mounted guides
- Pulls not required



*Base cabinets are not available in Arch style

*Drawer Bases and Glass Door Cabinets will read Cambridge

* Upgrade drawer option available: wood dovetail drawer with Full Extension, Soft Close feature

* See page 0.23 for additional specifications for painted product

CABINET REFERENCES—Standard Overlay

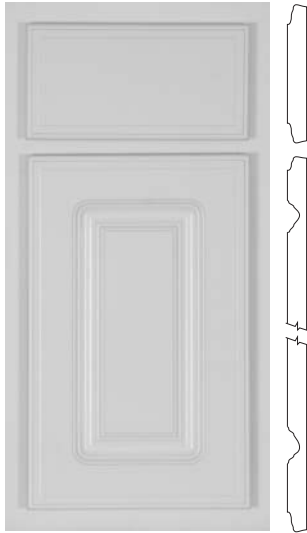
FAIRMONT

Thermofoil

- 5/8" thick door frame
- Traditional 1/2" overlay
- Raised center panel
- 2-1/2" stiles and rails
- Thermofoil surface
- 3/4" thick painted hardwood frame
- Concealed hinges

Drawers

- 5/8" thick solid face
- Thermofoil surface
- Side mounted guides
- Pulls not required



*Not available in Glass

* Upgrade drawer option available: wood dovetail drawer with Full Extension, Soft Close feature

* See page 0.23 for additional specifications for painted product

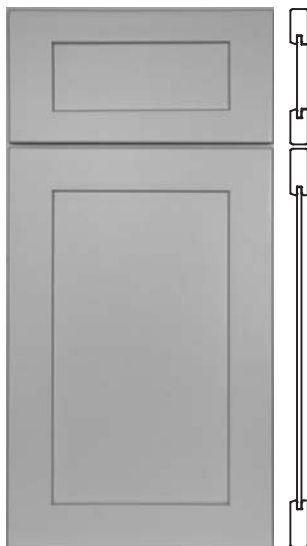
CABINET REFERENCES—Full Overlay

SAVANNAH I

- Maple and Cherry
- 3/4" thick solid door frame
 - Full overlay
 - Mortise and tenon door with flat veneer center panel
 - 2" stiles and rails
 - Soft Close hinges

Drawers

- 3/4" thick 5-piece solid drawer head
- Undermount, Full Extension Soft Close guides
- Pulls required

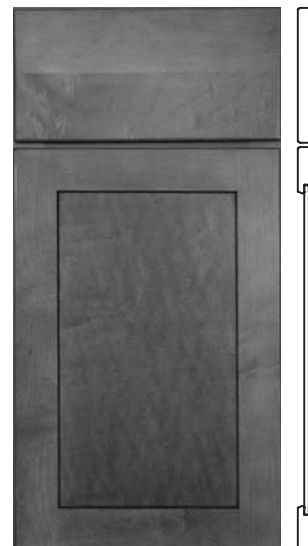


SAVANNAH II

- Maple and Cherry
- 3/4" thick solid door frame
 - Full overlay
 - Mortise and tenon door with flat veneer center panel
 - 2" stiles and rails
 - Soft Close hinges

Drawers

- 3/4" thick slab solid drawer head
- Undermount, Full Extension Soft Close guides
- Pulls required



WILMINGTON I

- Maple and Cherry
- 3/4" thick solid door frame
 - Full overlay
 - Mitred door with flat veneer center panel
 - 2" stiles and rails
 - Soft Close hinges

Drawers

- 3/4" thick 5-piece drawer head
- Undermount, Full Extension Soft Close guides
- Pulls required



ARLINGTON I

- Maple and Cherry
- 3/4" thick solid door frame
 - Full overlay
 - Mitred door with raised veneer center panel
 - 2" stiles and rails
 - Soft Close hinges

Drawers

- 3/4" thick 5-piece drawer head
- Undermount, Full Extension Soft Close guides
- Pulls required



*Not available in Mullion

*Not available in Mullion

*Drawer Bases and Glass Door Cabinets will read Wilmington I

* De-selection of wood dovetail drawer with Full Extension, Soft Close feature available

* See page 0.23 for additional specifications for painted product

CABINET REFERENCES—Full Overlay

NANTUCKET I

Maple and Cherry

- 3/4" thick solid door frame
- Full overlay
- Mortise and tenon door with flat bead board center panel
- 2" stiles and rails
- Soft Close hinges

Drawers

- 3/4" thick 5-piece solid drawer head
- Undermount, Full Extension Soft Close guides
- Pulls required



*Beads align between door and drawer
*Glass Door Cabinets will read Savannah

NANTUCKET II

Maple and Cherry

- 3/4" thick solid door frame
- Full overlay
- Mortise and tenon door with flat bead board center panel
- 2" stiles and rails
- Soft Close hinges

Drawers

- 3/4" thick slab solid drawer head
- Undermount, Full Extension Soft Close guides
- Pulls required



*Beads align between door and drawer
*Drawer Bases will read Savannah II
*Glass Door Cabinets will read Savannah

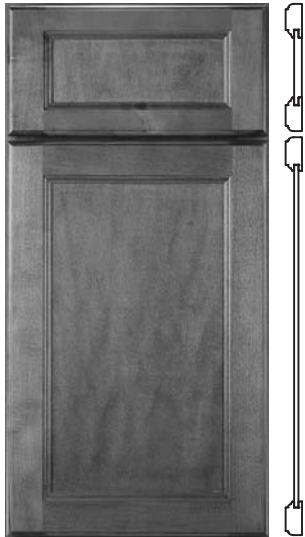
JAMESTOWN I

Maple and Cherry

- 3/4" thick solid door frame
- Full overlay
- Mortise and tenon door with flat veneer center panel
- 2" stiles and rails
- Soft Close hinges

Drawers

- 3/4" thick 5-piece solid drawer head
- Undermount, Full Extension Soft Close guides
- Pulls required



JAMESTOWN II

Maple and Cherry

- 3/4" thick solid door frame
- Full overlay
- Mortise and tenon door with flat veneer center panel
- 2" stiles and rails
- Soft Close hinges

Drawers

- 3/4" thick slab solid drawer head
- Undermount, Full Extension Soft Close guides
- Pulls required



* De-selection of wood dovetail drawer with Full Extension, Soft Close feature available

* See page 0.23 for additional specifications for painted product

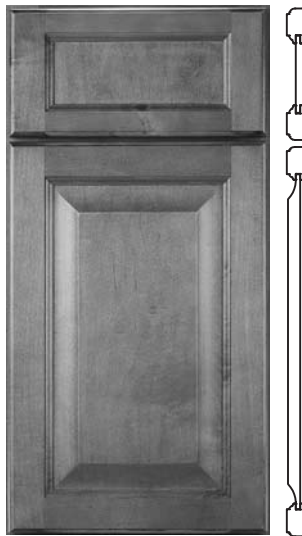
CABINET REFERENCES—Full Overlay

CHARLESTON I

- Maple and Cherry
- 3/4" thick solid door frame
 - Full overlay
 - Mortise and tenon door with raised veneer center panel
 - 2" stiles and rails
 - Soft Close hinges

Drawers

- 3/4" thick 5-piece solid drawer head
- Undermount, Full Extension Soft Close guides
- Pulls required



*Drawer Bases and Glass Door Cabinets will read Jamestown I

CHARLESTON II

- Maple and Cherry
- 3/4" thick solid door frame
 - Full overlay
 - Mortise and tenon door with raised veneer center panel
 - 2" stiles and rails
 - Soft Close hinges

Drawers

- 3/4" thick slab solid drawer head
- Undermount, Full Extension Soft Close guides
- Pulls required



*Drawer Bases and Glass Door Cabinets will read Jamestown II

APEX

- Maple and Cherry
- Full overlay
 - 3/4" thick slab door with veneer surface
 - Soft Close hinges

Drawers

- 3/4" thick slab drawer head in veneer
- Undermount, Full Extension Soft Close guides
- Pulls required



*Not available in Mullion and Glass Doors

*Vertical grain matches door and drawer

* De-selection of wood dovetail drawer with Full Extension, Soft Close feature available

* See page 0.23 for additional specifications for painted product

CABINET REFERENCES—Full Overlay

SUMMERFIELD I

Maple and Cherry

- 3/4" thick solid door frame
- Full overlay
- Mortise and tenon door with flat veneer center panel
- 3" stiles and rails
- Soft Close hinges

Drawers

- 3/4" thick 5-piece solid drawer head
- Undermount, Full Extension Soft Close guides
- Pulls required



SUMMERFIELD II

Maple and Cherry

- 3/4" thick solid door frame
- Full overlay
- Mortise and tenon door with flat veneer center panel
- 3" stiles and rails
- Soft Close hinges

Drawers

- 3/4" thick slab solid drawer head
- Undermount, Full Extension Soft Close guides
- Pulls required



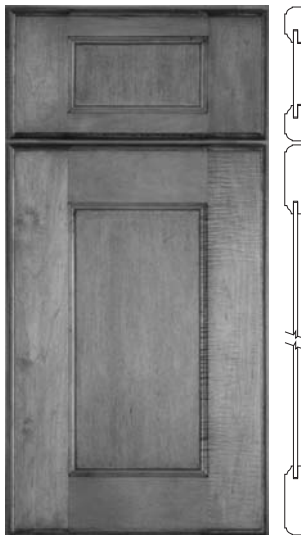
JEFFERSON I

Maple and Cherry

- 3/4" thick solid door frame
- Full overlay
- Mortise and tenon door with flat veneer center panel
- 3" stiles and rails
- Soft Close hinges

Drawers

- 3/4" thick 5-piece veneer flat panel drawer head
- Undermount, Full Extension Soft Close guides
- Pulls required



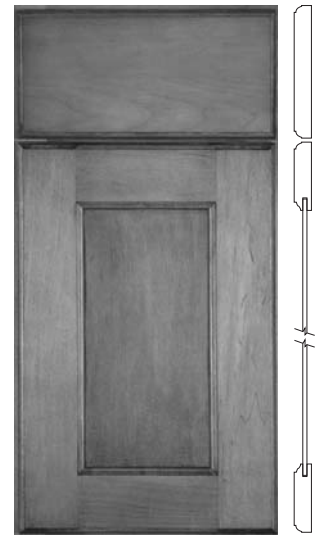
JEFFERSON II

Maple and Cherry

- 3/4" thick solid door frame
- Full overlay
- Mortise and tenon door with flat veneer center panel
- 3" stiles and rails
- Soft Close hinges

Drawers

- 3/4" thick solid front
- Undermount, Full Extension Soft Close guides
- Pulls required



* De-selection of wood dovetail drawer with Full Extension, Soft Close feature available

* See page 0.23 for additional specifications for painted product

CABINET REFERENCES—Full Overlay

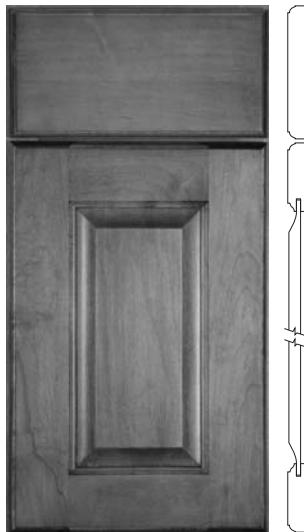
ARDMORE II

Maple and Cherry

- 3/4" thick solid door frame
- Full overlay
- Mortise and tenon door with veneer raised center panel
- 3" stiles and rails
- Soft Close hinges

Drawers

- 3/4" thick solid front
- Undermount, Full Extension Soft Close guides
- Pulls required



*Drawer Bases and Glass Door Cabinets will read Jefferson

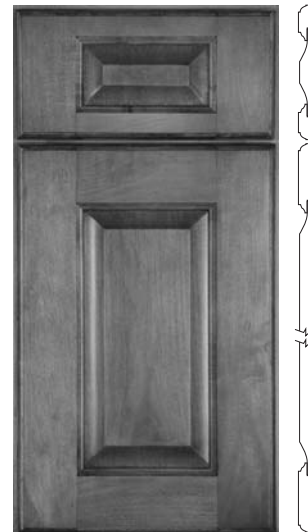
ARDMORE III

Maple and Cherry

- 3/4" thick solid door frame
- Full overlay
- Mortise and tenon door with veneer raised center panel
- 3" stiles and rails
- Soft Close hinges

Drawers

- 3/4" thick 5-piece veneer raised panel drawer head
- Undermount, Full Extension Soft Close guides
- Pulls required



*Glass Door Cabinets will read Jefferson

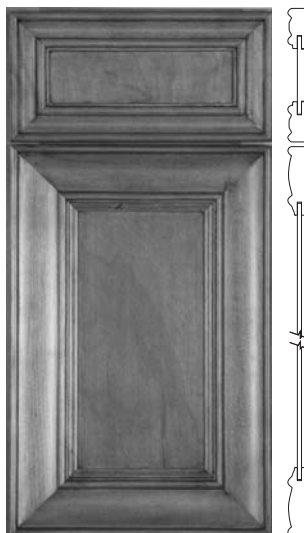
WENTWORTH I

Maple and Cherry

- 3/4" thick solid door frame
- Full overlay
- Mitered, soft-pillow profile door with flat veneer center panel
- 3" stiles and rails
- Soft Close hinges

Drawers

- 3/4" thick 5-piece veneer flat panel drawer head
- Undermount, Full Extension Soft Close guides
- Pulls required



*Not available in Mullion

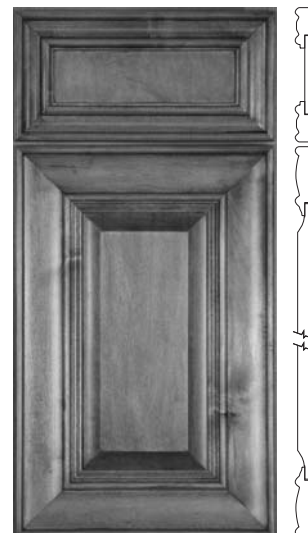
TRENTON I

Maple and Cherry

- 3/4" thick solid door frame
- Full overlay
- Mitered, soft-pillow profile door with veneer raised center panel
- 3" stiles and rails
- Soft Close hinges

Drawers

- 3/4" thick 5-piece veneer flat panel drawer head
- Undermount, Full Extension Soft Close guides
- Pulls required



*Not available in Mullion

*Drawer Bases and Glass Door Cabinets will read Wentworth

* De-selection of wood dovetail drawer with Full Extension, Soft Close feature available

* See page 0.23 for additional specifications for painted product

CABINET REFERENCES—Full Overlay

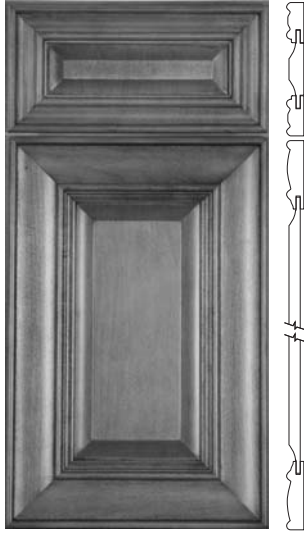
TRENTON III

Maple and Cherry

- 3/4" thick solid door frame
- Full overlay
- Mitered, soft-pillow profile door with veneer raised center panel
- 3" stiles and rails
- Soft Close hinges

Drawers

- 3/4" thick 5-piece veneer raised panel drawer head
- Undermount, Full Extension Soft Close guides
- Pulls required



*Not available in Mullion

*Glass Door Cabinets will read Wentworth

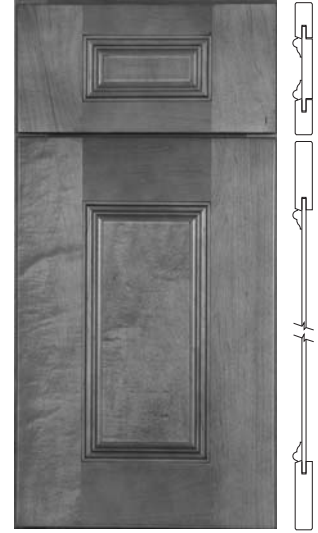
ARCADIA

Maple and Cherry

- 3/4" thick solid door frame
- Full overlay
- Mortise and tenon door with flat veneer center panel and applied inset molding
- 3" stiles and rails
- Soft Close hinges

Drawers

- 3/4" thick 5-piece drawer head with applied inset molding
- Undermount, Full Extension Soft Close guides
- Pulls required



*Not available in Mullion

NORTHBROOK

Maple and Cherry

- 3/4" thick solid door frame
- Full overlay
- Mortise and tenon door with flat veneer center panel and applied overlay molding
- 3" stiles and rails
- Soft Close hinges

Drawers

- 3/4" thick 5-piece drawer head with applied overlay molding
- Undermount, Full Extension Soft Close guides
- Pulls required



*Not available in Mullion

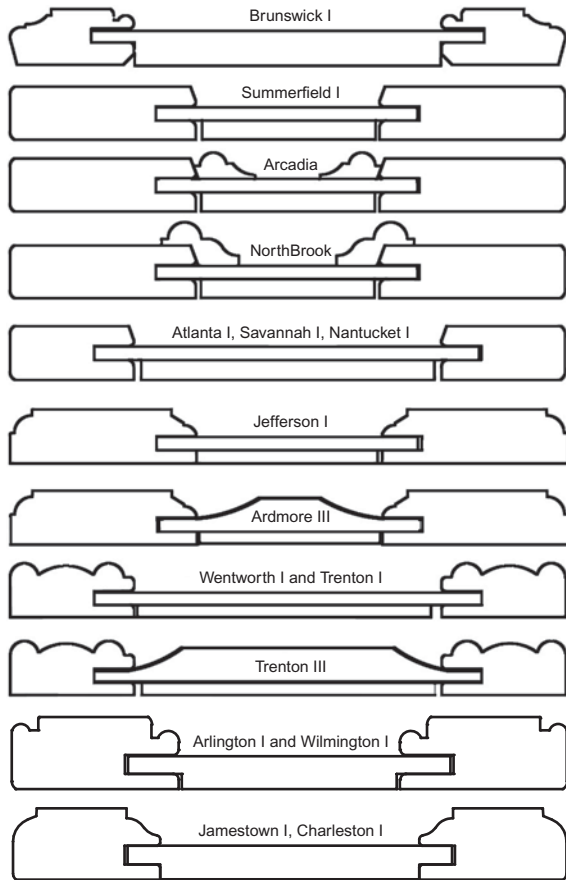
* De-selection of wood dovetail drawer with Full Extension, Soft Close feature available

* See page 0.23 for additional specifications for painted product

SLAB AND 5 PIECE DRAWER HEADS

Detailed below is what you can expect when ordering Drawer Bases (DB, DBP, VB, etc)

5 Piece Drawer Heads



Slab Drawer Heads



* Upgrade drawer option available: wood dovetail drawer with Full Extension, Soft Close feature
 * See page 0.23 for additional specifications for painted product

GLASS AND MULLION PROFILES

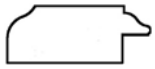
Glass-Profile

Suited for Cambridge, Florence and Arch Florence.



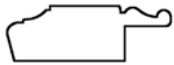
Glass-Profile

Suited for Parkwood, Arch Parkwood, Belwood and Arch Belwood.



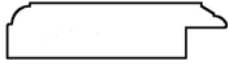
Glass-Profile

Suited for Brunswick.



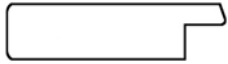
Glass-Profile

Suited for Jefferson and Ardmore.



Glass-Profile

Suited for Summerfield.



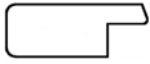
Glass-Profile

Suited for Wentworth and Trenton.



Glass-Profile

Suited for Atlanta, Savannah and Nantucket.



Glass-Profile

Suited for Wilmington and Arlington.



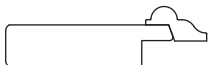
Glass-Profile

Suited for Jamestown and Charleston.



Glass-Profile

Suited for NorthBrook.



Glass-Profile

Suited for Arcadia.



Mullion-Profile

Suited for Florence and Cambridge.



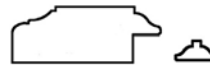
Mullion-Profile

Suited for Parkwood and Belwood.



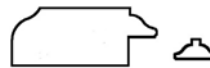
Mullion-Profile

Suited for Arch Florence.



Mullion-Profile

Suited for Arch Parkwood and Arch Belwood.



Mullion-Profile

Suited for Fairmont.



Mullion-Profile

Suited for Savannah and Nantucket.



Mullion-Profile

Suited for Jamestown and Charleston.



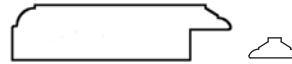
Mullion-Profile

Suited for Summerfield.



Mullion-Profile

Suited for Jefferson and Ardmore.



SPECIES AND FINISH AVAILABILITY CHART

													<i>Paints</i>					
			Autumn	Café	Cordovan	Espresso	Graphite	Natural	Sienna	Tuscany	Wheat	Medium	White	Onyx	Alpine	Greystone	Ivory	Linen
* Glaze Available			*	*	*	*	*	*	*	*	*				*	*	*	*
Door Style	Overlay	Wood Species																
Belwood	Standard	Oak						≠					≠					
Arch Belwood	Standard	Oak						≠					≠					
Cambridge Oak	Standard	Oak	○	○		○		○	○	○								
Cambridge Birch	Standard	Birch	○	○	○	○			○	○	○				○	○	○	
Cambridge Maple	Standard	Maple	●	●	●	●	●	●	●	●	●			●	●	●	●	●
Cambridge Cherry	Standard	Cherry	●	●	●	●	●		●	●	●							
Atlanta I Birch	Standard	Birch	○	○	○	○				○					○	○	○	
Atlanta II Birch	Standard	Birch	○	○	○	○				○					○	○	○	
Atlanta I Maple	Standard	Maple	●	●	●	●	●	●	●	●	●			●	●	●	●	●
Atlanta II Maple	Standard	Maple	●	●	●	●	●	●	●	●	●			●	●	●	●	●
Atlanta I Cherry	Standard	Cherry	●	●	●	●	●		●	●	●							
Atlanta II Cherry	Standard	Cherry	●	●	●	●	●		●	●	●							
Brunswick I Birch	Standard	Birch	○	○	○	○				○					○	○	○	
Brunswick II Birch	Standard	Birch	○	○	○	○				○					○	○	○	
Brunswick I Maple	Standard	Maple	●	●	●	●	●	●	●	●	●			●	●	●	●	●
Brunswick II Maple	Standard	Maple	●	●	●	●	●	●	●	●	●			●	●	●	●	●
Brunswick I Cherry	Standard	Cherry	●	●	●	●	●		●	●	●							
Brunswick II Cherry	Standard	Cherry	●	●	●	●	●		●	●	●							
Parkwood	Standard	Oak						≠					≠					
Arch Parkwood	Standard	Oak						≠					≠					
Florence Birch	Standard	Birch	○	○	○	○			○	○	○				○	○	○	
Florence Maple	Standard	Maple	●	●	●	●	●	●	●	●	●			●	●	●	●	●
Arch Florence Maple	Standard	Maple	●	●	●	●	●	●	●	●	●			●	●	●	●	●
Florence Cherry	Standard	Cherry	●	●	●	●	●		●	●	●							
Arch Florence Cherry	Standard	Cherry	●	●	●	●	●		●	●	●							
Fairmont	Standard	Thermofoil											≠					

Available:
 ≠ No Glaze

Glaze Type:
 ● Hand Wiped
 ○ Accent

Glazes Available:
 Slate **NEW**
 Alabaster
 Caramel
 Chocolate
 Mocha (Paints Only)

SPECIES AND FINISH AVAILABILITY CHART

																<i>Paints</i>			
Door Style	Overlay	Wood Species	Autumn	Café	Cordovan	Espresso	Graphite	Natural	Sienna	Tuscany	Wheat	Medium	White	Onyx	Alpine	Greystone	Ivory	Linen	
			*	*	*	*	*	*	*	*	*	*				*	*	*	*
* Glaze Available			*	*	*	*	*	*	*	*	*				*	*	*	*	
Savannah I & II	Full	Maple	●	●	●	●	●	●	●	●	●			●	●	●	●	●	
Savannah I & II	Full	Cherry	●	●	●	●	●		●	●	●								
Jamestown I & II	Full	Maple	●	●	●	●	●	●	●	●	●			●	●	●	●	●	
Jamestown I & II	Full	Cherry	●	●	●	●	●		●	●	●								
Wilmington I	Full	Maple	●	●	●	●	●	●	●	●	●			●	●	●	●	●	
Wilmington I	Full	Cherry	●	●	●	●	●		●	●	●								
Charleston I & II	Full	Maple	●	●	●	●	●	●	●	●	●			●	●	●	●	●	
Charleston I & II	Full	Cherry	●	●	●	●	●		●	●	●								
Arlington I	Full	Maple	●	●	●	●	●	●	●	●	●			●	●	●	●	●	
Arlington I	Full	Cherry	●	●	●	●	●		●	●	●								
Apex	Full	Maple	●	●	●	●	●	●	●	●	●			●	●	●	●	●	
Apex	Full	Cherry	●	●	●	●	●		●	●	●								
Nantucket I & II	Full	Maple	●	●	●	●	●	●	●	●	●			●	●	●	●	●	
Nantucket I & II	Full	Cherry	●	●	●	●	●		●	●	●								
Summerfield I & II	Full	Maple	●	●	●	●	●	●	●	●	●			●	●	●	●	●	
Summerfield I & II	Full	Cherry	●	●	●	●	●		●	●	●								
Jefferson I & II	Full	Maple	●	●	●	●	●	●	●	●	●			●	●	●	●	●	
Jefferson I & II	Full	Cherry	●	●	●	●	●		●	●	●								
Ardmore II & III	Full	Maple	●	●	●	●	●	●	●	●	●			●	●	●	●	●	
Ardmore II & III	Full	Cherry	●	●	●	●	●		●	●	●								
Wentworth I	Full	Maple	●	●	●	●	●	●	●	●	●			●	●	●	●	●	
Wentworth I	Full	Cherry	●	●	●	●	●		●	●	●								
Trenton I & III	Full	Maple	●	●	●	●	●	●	●	●	●			●	●	●	●	●	
Trenton I & III	Full	Cherry	●	●	●	●	●		●	●	●								
NorthBrook	Full	Maple	●	●	●	●	●	●	●	●	●			●	●	●	●	●	
NorthBrook	Full	Cherry	●	●	●	●	●		●	●	●								
Arcadia	Full	Maple	●	●	●	●	●	●	●	●	●			●	●	●	●	●	
Arcadia	Full	Cherry	●	●	●	●	●		●	●	●								

Available:
 ≠ No Glaze

Glaze Type:
 ● Hand Wiped
 ○ Accent

Glazes Available:
 Slate **NEW**
 Alabaster
 Caramel
 Chocolate
 Mocha (Paints Only)

WOOD SPECIES INFORMATION

Marsh Furniture Company offers both solid hardwoods and hardwood veneers in our cabinetry. These natural materials have inherent characteristics such as varying grain pattern, small mineral streaks, knots, and slight color variations. Because of this, our quality standards establish tolerance ranges for matching the wood.

These variations are what create the unique natural beauty of each piece. Additionally, exposure to sunlight, smoke, and other chemical agents can cause wood colors to change over time. You are urged to make final selection of species and finish from a full size door sample.

Cherry is a moderately hard wood, heavy and strong. It is generally a straight grained, uniformly textured wood characterized by its red undertones. Given that, it may range in color from a light to dark reddish brown heartwood with tones from greenish to white sapwood. There is also a natural occurrence of small knots, pitch pockets or wormholes in the surface of the wood. Cherry is well known for its response to artificial and natural light sources, developing a rich and lustrous patina in the colors noted above. These variations are often quite visible with natural or light finishes while appearing less on darker stains, shielding the wood from various light sources.

Maple is a hard and dense wood with a close grain that is relatively subtle in appearance. The grain pattern may vary from a tight vertical pattern to a wild arch-shape. The color range runs from white to yellow and brown. Marsh is very selective in this color range, ensuring the brown portion to have a faint brown tint. Inherently, there are fine honey-colored mineral and sugar streaks. Maple will react to both natural and artificial light sources, taking on a slightly subdued patina. When a light finish is applied, these variations are visible and should not be considered defects.

Oak is an extremely hard wood with an open grain pattern. The pattern may vary from a tight to wide pattern with a coarse texture. In oak's natural state, colors may range from brownish with a red tinge to a light yellow. When a light finish is applied, these variations are visible and should not be considered a defect.

Birch is a medium-hard wood with plain and closed grain. The grain is often characterized as a curly or wavy pattern. It is predominantly a light yellow wood that takes stain very well. When a light finish is applied these variations may be visible and should not be considered a defect. When a dark stain is applied the wavy and curly grain absorbs stain and reflects light in such a manner as to enhance the natural characteristics of the species and should not be considered a defect.

Thermofoil is Medium Density Fiberboard (MDF) covered with a durable thermofoil laminate. The maple wood frame is painted with a white paint to closely match the laminate. You may notice some small seams in the paint at the joints of the cabinetry face frame due to expansion and contraction of the wood. This will not affect the integrity of the cabinet or the finish.

Painted Wood differs from standard finishes. Wood products expand and contract due to changes in climatic conditions. Some of the characteristics that are common and acceptable aspects of painted wood include finish breaks, slight recesses, and seam lines at stile, rail, and panel joints. Joint separation may be more apparent on mitered doors; therefore, opaque finishes are not recommended for use in environments of high humidity. Since seam lines and variations are normal characteristics of opaque finishes, they will not be considered reason for product replacement.

* Marsh may substitute select hardwoods for a more consistent painted product *

Painted Alpine in standard cabinet construction will be a white laminated material, both interior and exterior. However, when Plywood is chosen, the interior and exterior components will be clear-coated natural birch veneer unless Finished Interior is chosen. In order for ends to be white on Plywood, Overlay Ends will need to be ordered.

You may be required to sign a FINISH WAIVER FORM when ordering a painted product. Neither Marsh Furniture nor your Marsh dealer can be responsible for these conditions.

CABINET SPECIFICATIONS

A Face Frames

- Constructed of 3/4" kiln-dried select woods grooved to accept the cabinet box
- Joints are mortise and 3/8" tenon construction, glued and secured with steel fasteners
- Base cabinet and the wall cabinet frames have 1-1/2" stiles and rails

B Doors

- Solid wood stiles and rails
- Wood veneer door panels
- Thermofoil Medium Density Fiberboard (MDF) door selections

C End Panels

- Constructed of 1/2" industrial grade particleboard laminated with exterior laminate to match finish; interior is natural maple laminate
- The white door styles are white laminate

Top and Bottom Panels

- Top and bottom panels are 1/2" industrial grade particleboard laminated
- White door styles are white laminate

Back Panels

- Back panels are 1/8" industrial grade medium density fiberboard (MDF) laminated on interior, captured between end panels
- White door styles are white laminated interior

↙ Hanger Rails

- Wall cabinet top and bottom hanger rails are 5/8" industrial grade Medium Density Fiberboard (MDF) secured behind the back panel, captured between end panels

D Shelves

- Shelves are constructed of 5/8" industrial grade particleboard laminated on both faces
- White door styles are white laminate
- The front edges of shelves have PVC edge-banding applied to match interior
- **Base shelves** are 5/8" thick adjustable and half-depth
- **Wall shelves** are 5/8" thick and adjustable in 2.5" increments

E Hinges

- 6-way fully concealed 108° self-closing cup hinges allow easy height (vertical), side (horizontal) and depth (in/out) adjustment
- Soft Close hinges are standard on "Full Overlay Lines"

F Cabinet Interior

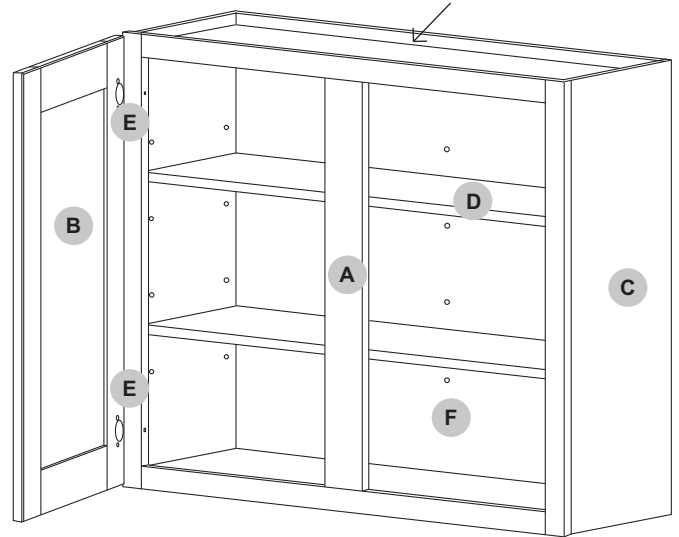
- The standard cabinet interior is a laminate with a natural wood grain print
- A white laminate interior will be used for thermofoil and painted door styles in white
- **Finished Interior Option (FI)** — On wall, base and tall cabinets up to 24" deep, the "FI" option can be selected
- The cabinet interior will be a grain print laminate that matches the finish color
- FI option on glazed cabinets will not be glazed but will match the finish color
- Shelves in cabinets with the FI option will be PVC edge banded to match

G Drawers

- Drawers feature 5/8" particleboard drawer box construction with side-mount, self-aligning, epoxy-coated guides and attached to drawer with screws
- Drawer bottoms are 7/32" laminated industrial grade particleboard
- The drawer bottom is fully captured into a groove, positioned 1/2" up from the bottom edge of sides, front, and back
- Drawer guides are certified up to 75 lb.

Upgrade Option (Standard feature on "Full Overlay Lines"):

- 5/8" Wood dovetail drawer box with Full Extension undermount Soft Close guide system (FX)
- Drawer sides, front and back, are constructed of 5/8" solid wood featuring dovetail construction
- Wood drawer bottoms are 1/4" plywood
- Drawer guides are certified up to 75 lbs.

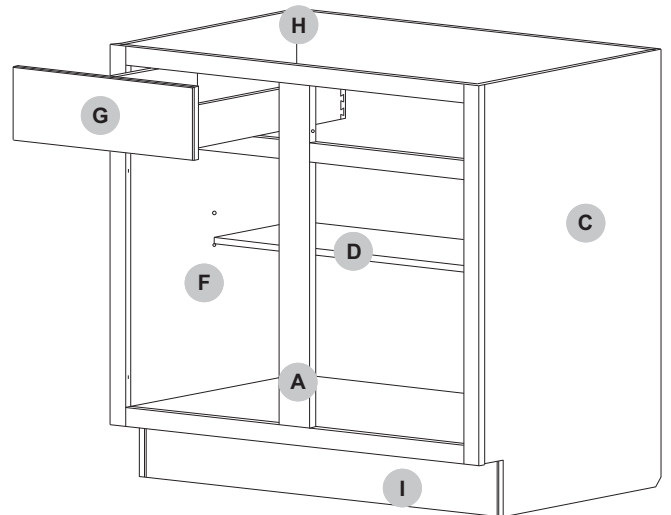


H Base Corner Braces

- Rigid plastic secured with steel fasteners
- Braces are pre-drilled to anchor the countertops

I Toe Kicks

- The toe kick is inset into the cabinet box 3-1/2" and is 4-1/2" high
- Toe kicks are 1/2" unfinished industrial grade particleboard
- To finish the toe kick space, a TK or TP overlay is required (page 5.17)



— Options available are listed under each cabinet

CASE OPTIONS AND SPECIFICATIONS FOR PLYWOOD CABINETS

Plywood Construction (PC)

Available on Wall, Base/Vanity, Tall

- ◆ Toe kick is 1/2" plywood
- ◆ 1/2" plywood sides
- ◆ 7/32" birch veneer backs
- ◆ 3/4" plywood shelves for Walls
- ◆ 5/8" plywood shelves for Bases
- ◆ Interior will be clear-coated, natural birch veneer
- ◆ Overlay Ends (OE) can be ordered if a flushed end is desired. See page 5.02.
- ◆ Finished Ends need to be ordered to match the cabinet finish where ends are exposed using Oak/Maple/Cherry veneer.

MODIFICATIONS TABLE

Option	Code
Premium Species	Cherry
Premium Finishes	Maple
	Birch
Premium Glazes	Slate NEW
	Alabaster
	Caramel
	Chocolate
	Mocha (Paint only)
Full Extension Upgrades (standard overlay only)	<u>FX</u> (Full Extension wood drawer)
Full Extension De-selections (full overlay only)	<u>FX</u> (Full Extension wood drawer)
Reduce Depth of Wall (3" increments, with 6" being minimum depth)	RD
Reduce Depth of Base (3" increments, with 6" being minimum depth) Excludes VL1816	RD
Reduce Depth of Tall (3" increments, with 6" being minimum depth)	RD
Increase Depth of Wall (3" increments, with 24" being maximum depth)	AD
Full Depth Shelf added to Base Cabinet Excluding Sink Bases	FDS
Fronts and Doors ONLY	WCF (Walls)
	BSF (Bases)
Bottom Drawers (inverted frame)	BD
Island Cabinets Not Shown	IB / IW
No Door / No Drawer Cabinet	ND / NDWR
Finished Interiors (White lines already match)	FI
No Door / No Drawer Cabinet WITH Finished Interior	NDFI
Factory Applied Overlay Ends	AE
Factory Applied Decorative Doors	OVD
Factory Installed Accessories	IA
Plywood Construction	PC
Plywood Finished Ends	FE
Handicap Cabinets	HTP
	SH
	HC
Modifications can NOT be made to angled cabinets (WEA, WEC, CAR, LSCB, EZCB) due to the nature of construction. Limited modifications are available on Microwave Cabinets, Oven Cabinets, Farm Sink Bases and Bookcases. For information or help on modifications, please contact our Customer Service Representatives.	

CABINET DIMENSIONS

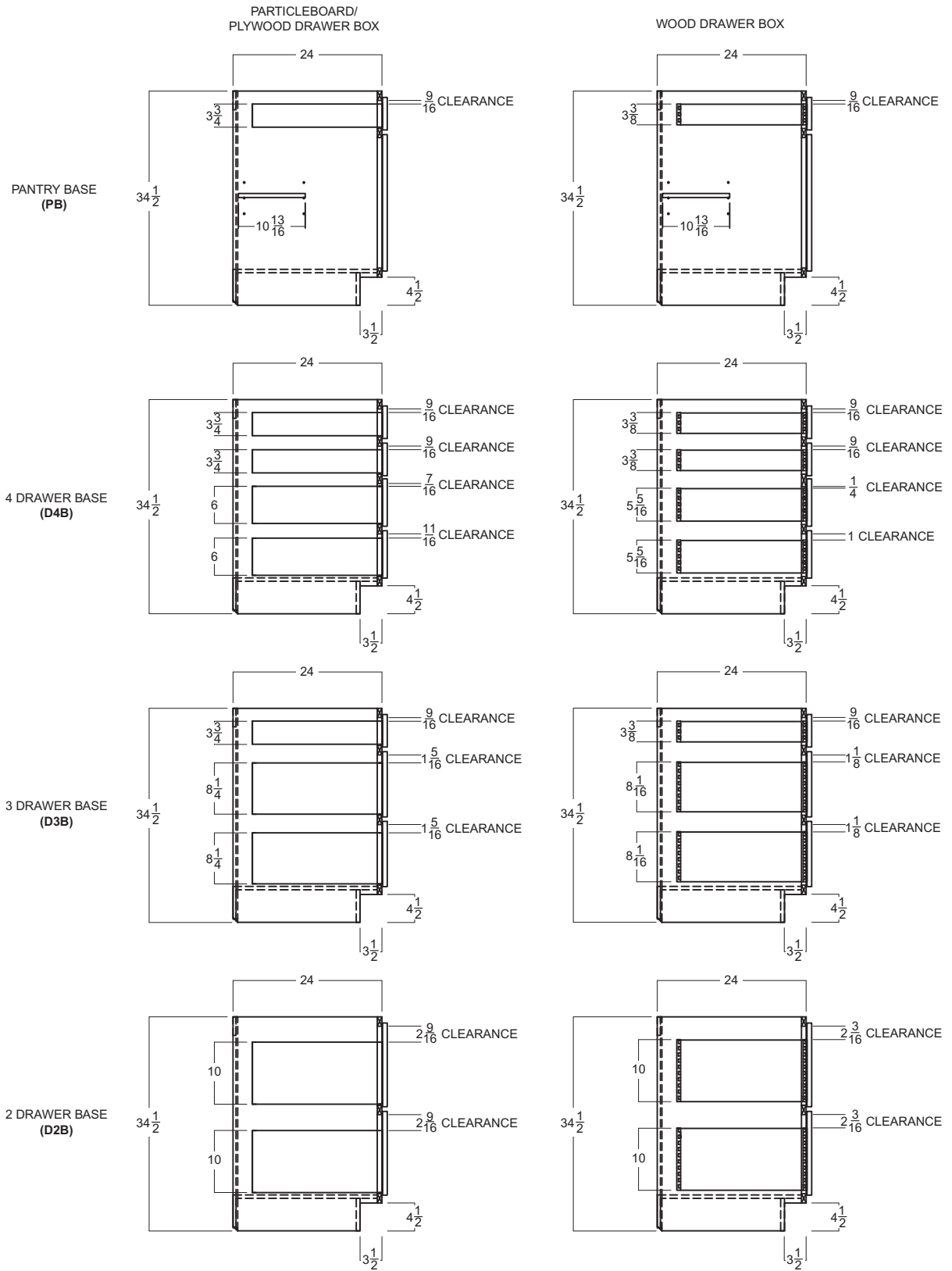
*** not to scale



Inside measurements are for openings

CABINET DIMENSIONS - BASES

*** not to scale



Inside measurements are for openings

CABINET DIMENSIONS - VANITIES

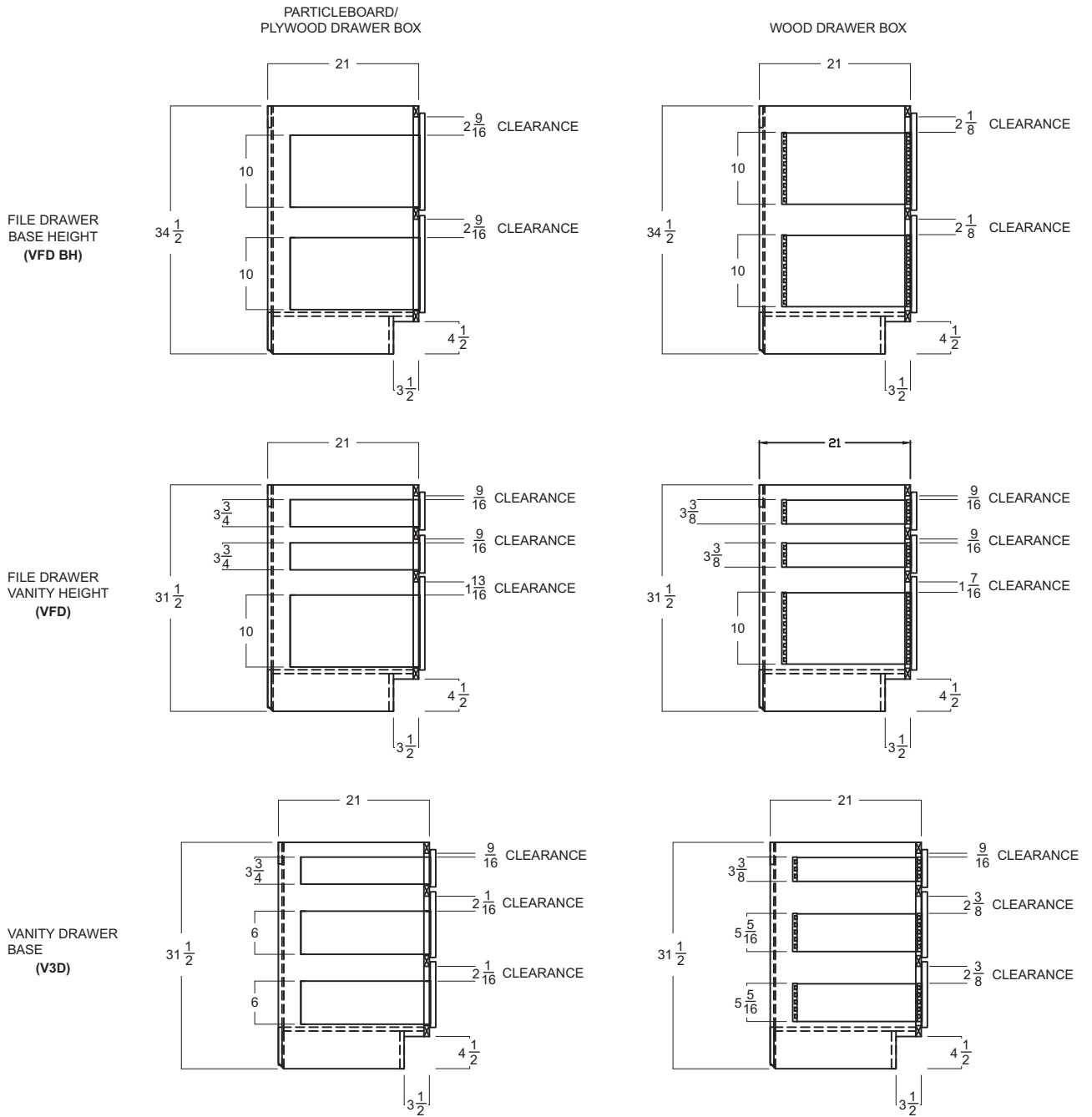
*** not to scale



Inside measurements are for openings

CABINET DIMENSIONS - VANITIES

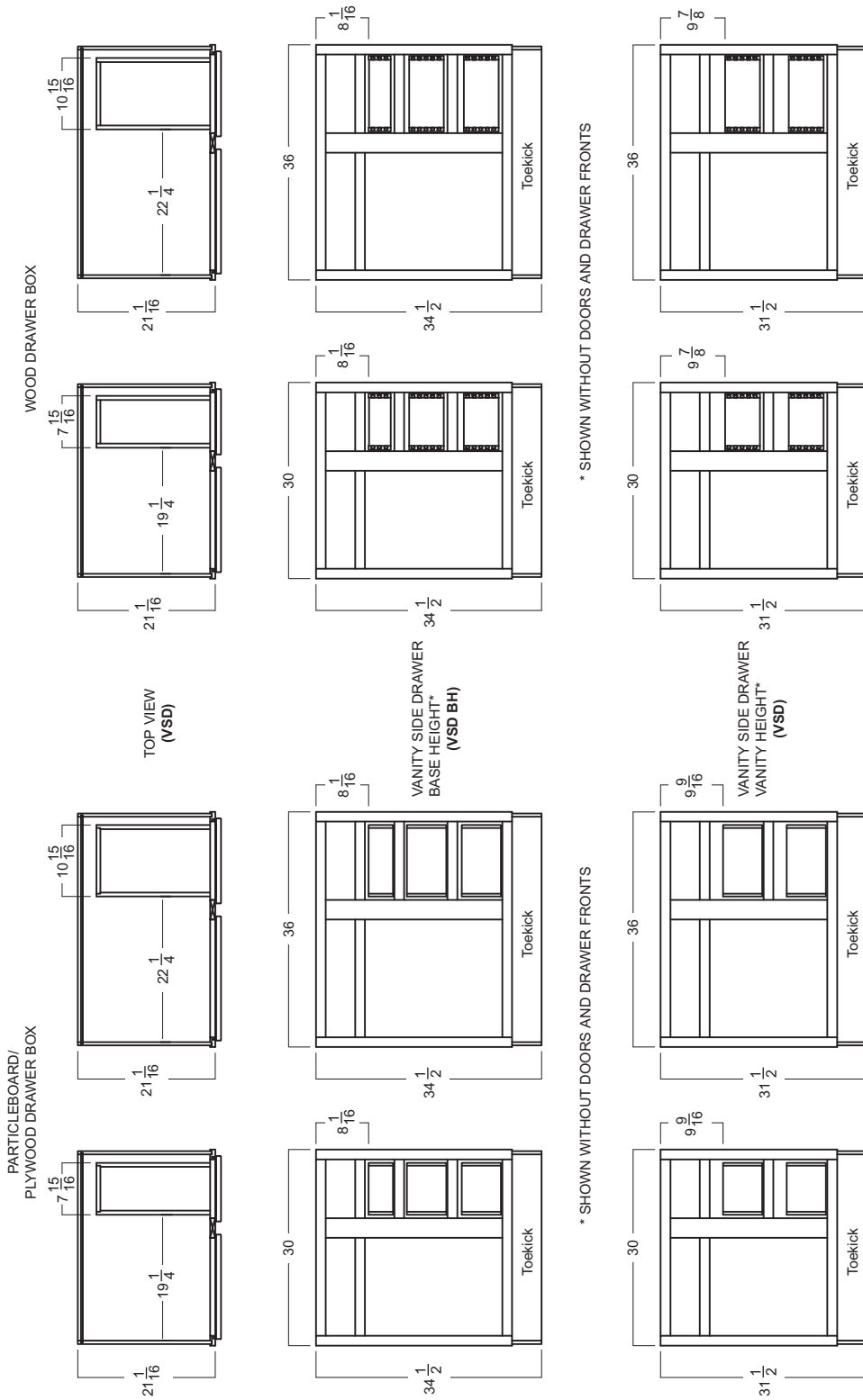
*** not to scale



Inside measurements are for openings

CABINET DIMENSIONS - VANITIES

*** not to scale



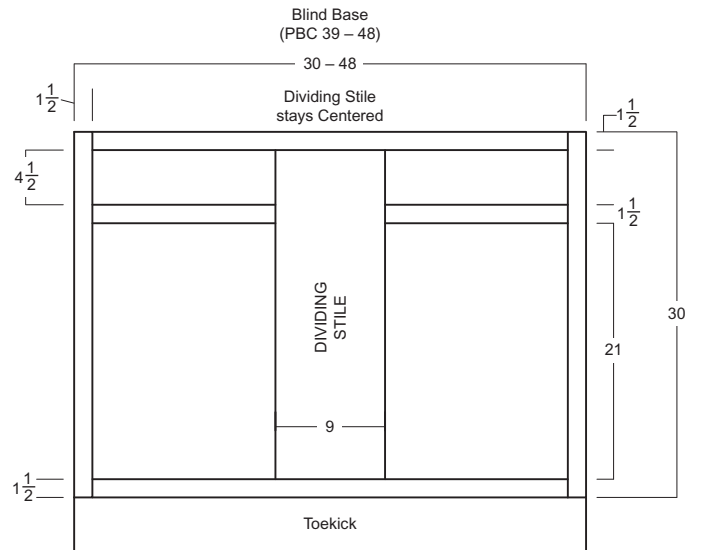
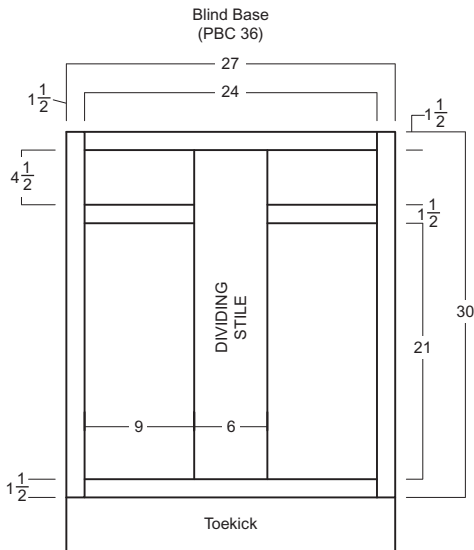
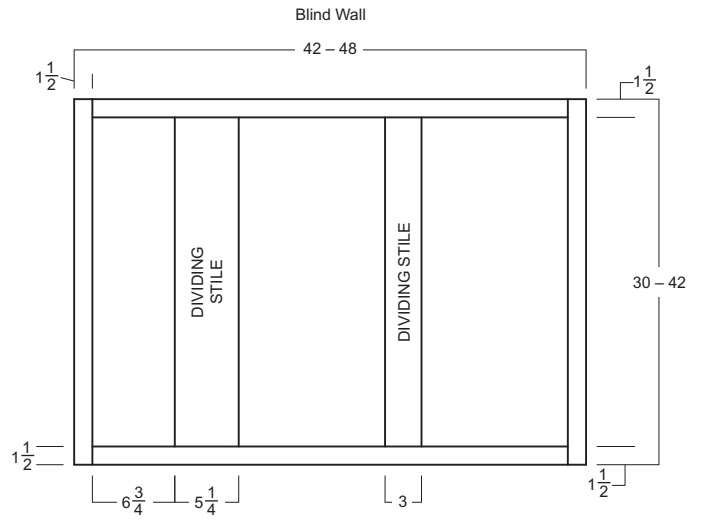
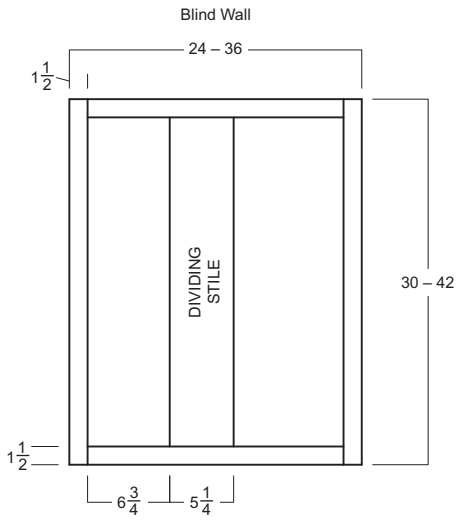
* SHOWN WITHOUT DOORS AND DRAWER FRONTS

* SHOWN WITHOUT DOORS AND DRAWER FRONTS

Inside measurements are for openings

CABINET DIMENSIONS - BLINDS

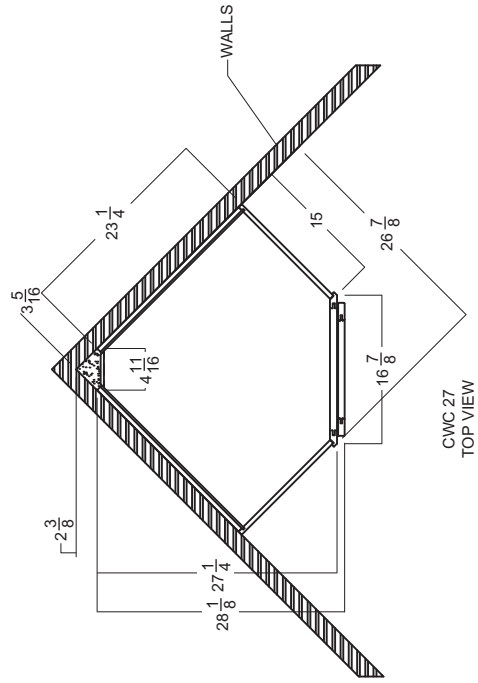
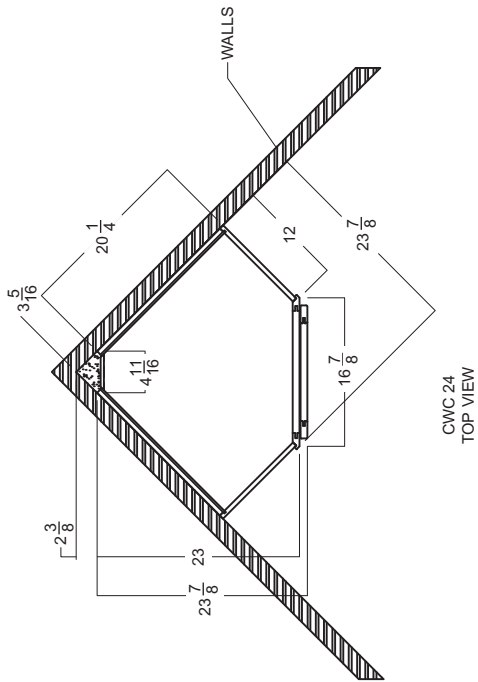
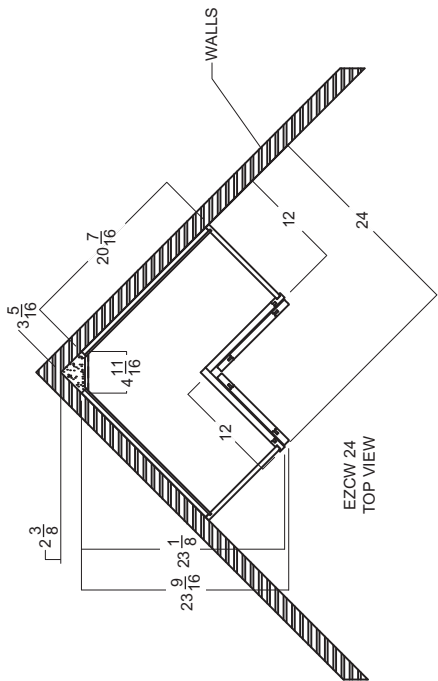
*** not to scale



Inside measurements are for openings

CABINET DIMENSIONS - CORNER WALLS

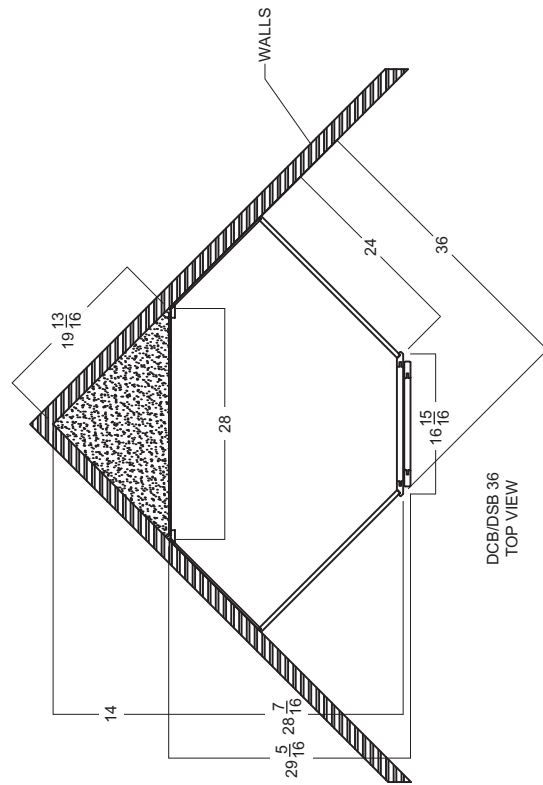
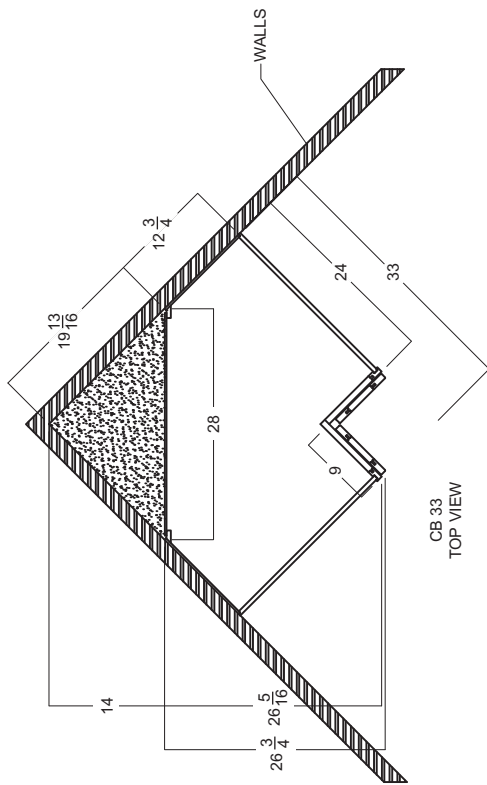
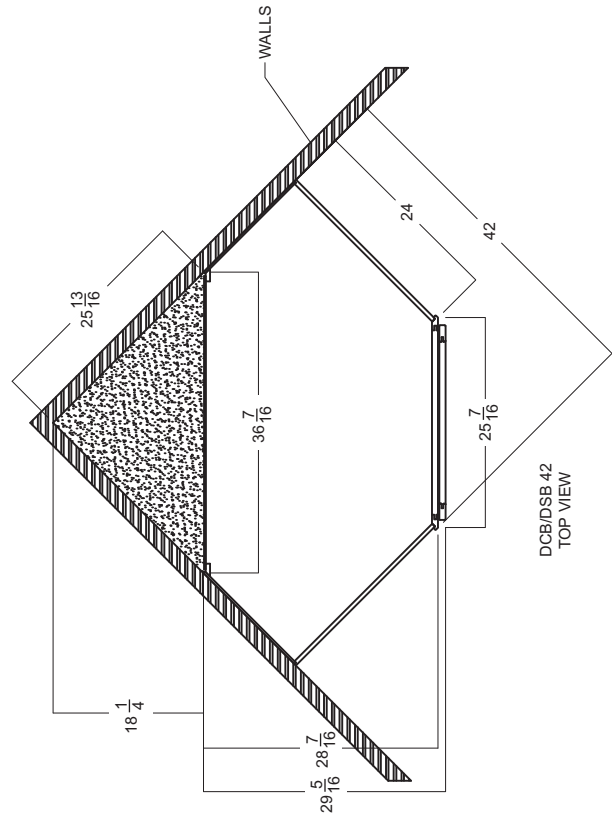
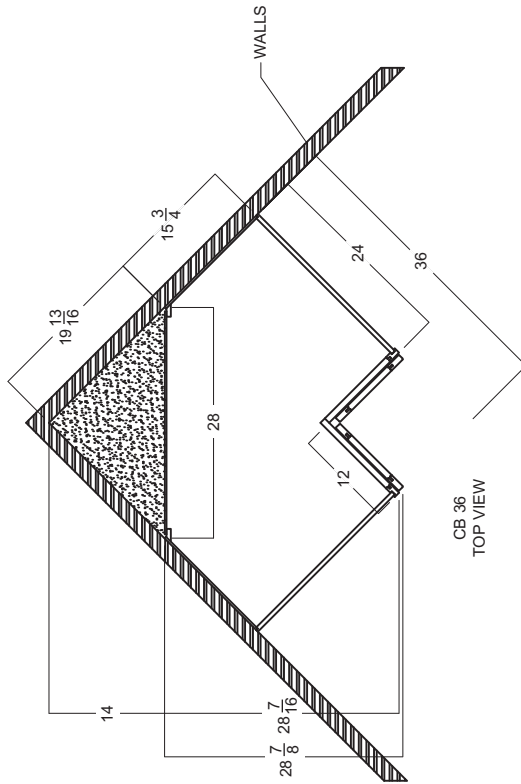
*** not to scale



Inside measurements are for openings

CABINET DIMENSIONS - CORNER BASES

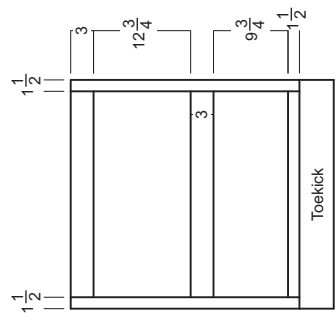
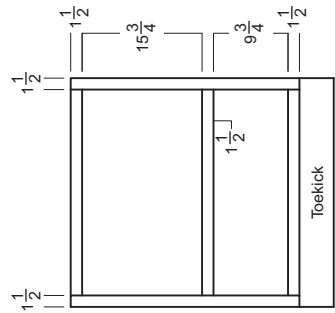
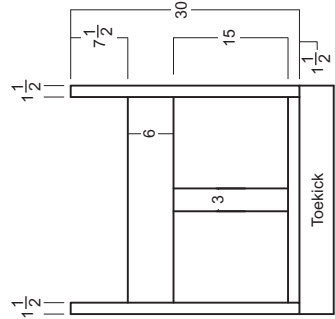
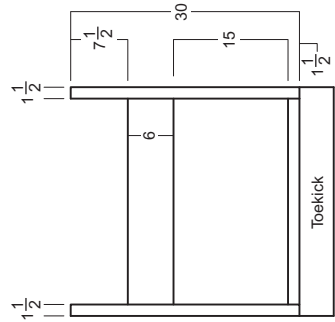
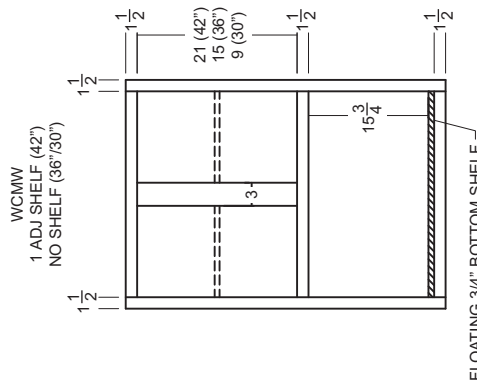
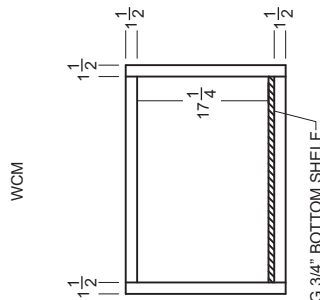
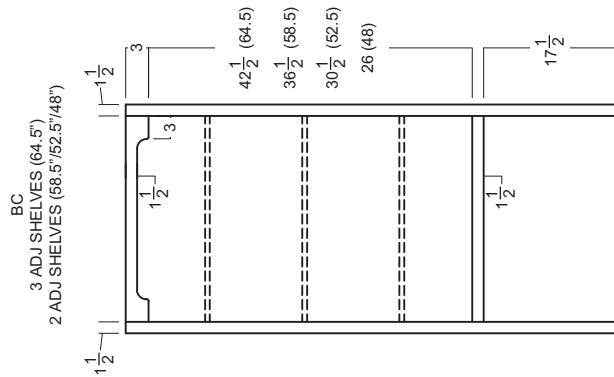
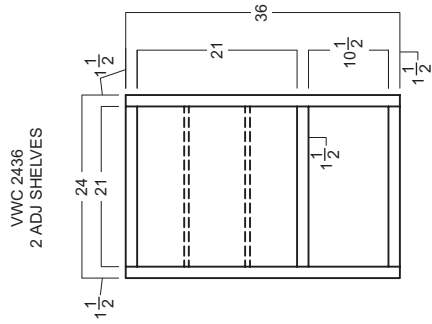
*** not to scale



Inside measurements are for openings

CABINET DIMENSIONS - MISC

*** not to scale



Inside measurements are for openings